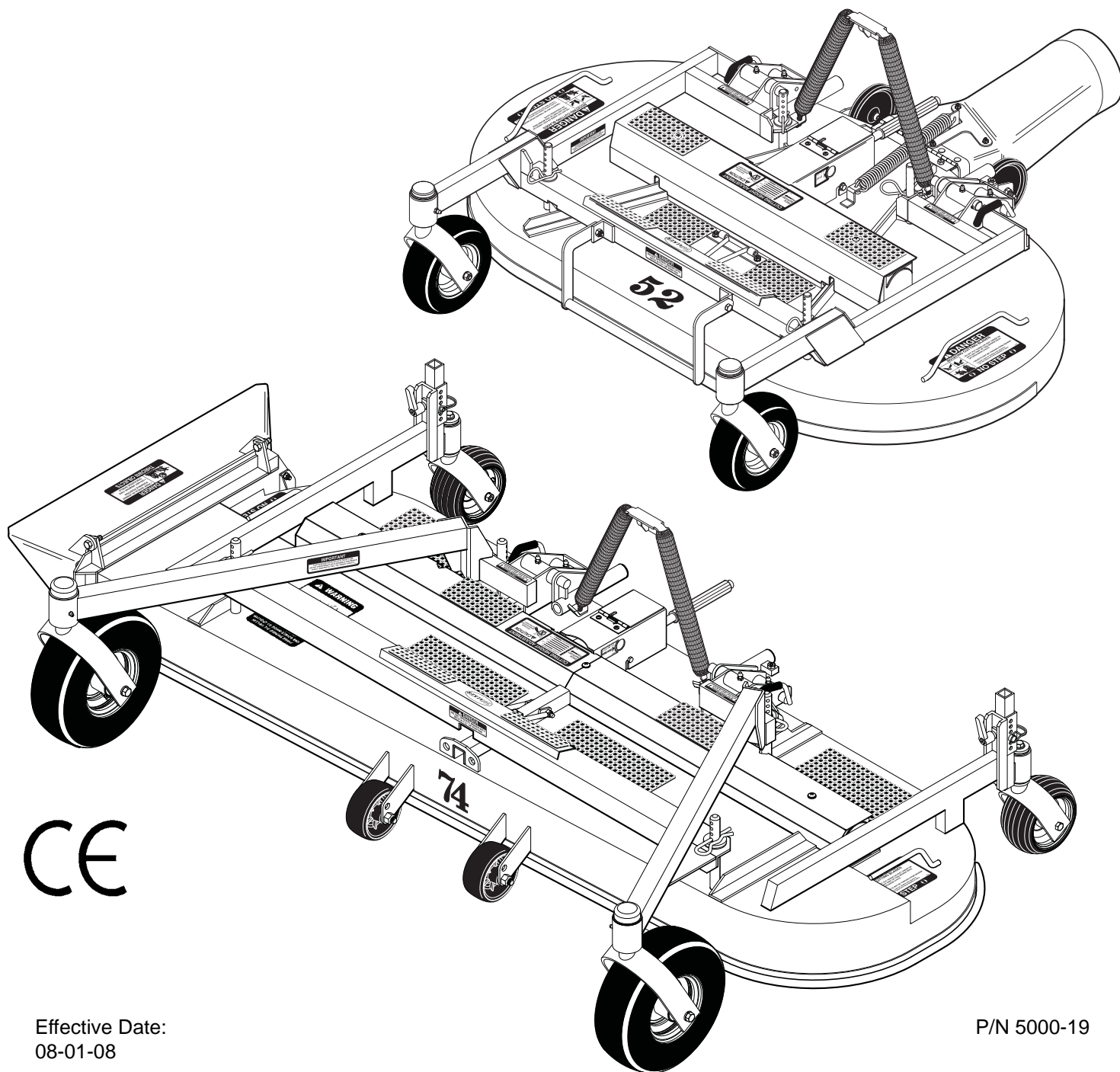


Walker Rider Lawnmowers

ILLUSTRATED PARTS MANUAL

Deck and Carrier Frame Assemblies (36", 42", 48", 52", 56", 62" & 74")



Effective Date:
08-01-08

P/N 5000-19

KEY TO ABBREVIATIONS USED IN THIS MANUAL

<i>Abbreviation</i>	<i>What it Represents</i>
° (Dimension)	Degrees (Angle)
" (Dimension)	inches
(-)	Negative (Polarity)
(+)	Positive (Polarity)
AT	All-Terrain
CCW	Counter-clockwise
Conn.	Connector
CW	Clockwise
D	Diameter
DGHS	Deck, Grass Handling System (number refers to size in inches)
DML	Deck, Mulching (number refers to size in inches)
DSD	Deck, Side Discharge (number refers to size in inches)
DU	Garlock (Bearing)
ESNA (Fastener)	Nylon Insert Locknut
FSC	Forward Speed Control
GA	Gauge
gal.	gallon
GHS	Grass Handling System
GR (Fastener)	Grade
HP	Horse Power
HT	Heat-Treated
ID	Identification or Inside Diameter
L	Length
LH	Left Hand (orientated with operator on seat)
LP	Low Profile
mm (Dimension)	millimeters
MS (Fastener)	Machine Screw
NS (as part number)	Item is not sold by Walker Manufacturing
OD	Outside Diameter
oz.	ounce
PFH (Fastener)	Phillips Flat Head
P/N	Part Number
PPH (Fastener)	Phillips Pan Head
PTH (Fastener)	Phillips Truss Head
PTO	Power Take-Off
QKS	Quick Slide
qt.	quart
RH	Right Hand (orientated with operator on seat)
SAE (Fastener)	Society of Automotive Engineers
SBH (Fastener)	Socket Button Head (Bolt)
SD	Side Discharge
SFH (Fastener)	Slotted Flat Head
SHC (Fastener)	Socket Head Cap
SHL (Fastener)	Shoulder (Bolt)
SM (Fastener)	Sheet Metal (Screw)
S/N	Serial Number
Spg.	Spring
SQH (Fastener)	Square Head
SS (Fastener)	Stainless Steel
ST (Fastener)	Self-Tapping (Screw)
Term.	Terminal
V	Volts

NOTE: In some instances, combinations of abbreviations may be used (e.g. PPHMS - Phillips Pan Head Machine Screw).

Use only genuine Walker® replacement parts.

Effective Date 08-01-08

ILLUSTRATED PARTS LIST

<i>Section of Mower Covered</i>	<i>Page</i>	<i>Section of Mower Covered</i>	<i>Page</i>
<hr/>		<hr/>	
Decals & Paint		Maintenance	
Deck Decals / Touch-Up Paint	2	Optional Break-Away Blades	52
Deck and Carrier Frame Assemblies		Blade Usage Chart	53
36 Inch Complete Carrier Frame Assembly	4	Deck Weldment Replacement Parts	54
DGHS36 Deck Assembly	6	Deck Height Adjuster Kit	56
DSD36 Deck Assembly	8	Lubrication Points	58
DML36 Inch Complete Carrier Frame Assembly ..	10	Fastener Loctite® Application & Torque Instructions	60
DML36 Deck Assembly	12	MBSSD Deck Arm Adapter Kit	62
42 Inch Complete Carrier Frame Assembly	14	Maintenance And Service Record Sheet	64
DGHS42 Deck Assembly	16	Deck / Tractor Compatibility Chart	64
DSD42 Deck Assembly	18	Warranty	
DML42A Deck Assembly	20	Limited Warranty	65
DML42B Deck Assembly	22		
48 Inch Complete Carrier Frame Assembly	24		
DGHS48 Deck Assembly	26		
DSD48 Deck Assembly	28		
52 Inch Complete Carrier Frame Assembly	30		
DGHS52 Deck Assembly	32		
52 Inch Complete Carrier Frame Assembly	34		
DSD52 Deck Assembly	36		
Mulching Kit (For DSD52 Deck Assembly)	38		
56 Inch Complete Carrier Frame Assembly	40		
DSD56 Deck Assembly	42		
62 Inch Complete Carrier Frame Assembly	44		
DSD62 Deck Assembly	46		
74 Inch Complete Carrier Frame Assembly	48		
DSD74 Deck Assembly	50		

DECK DECALS / TOUCH-UP PAINT

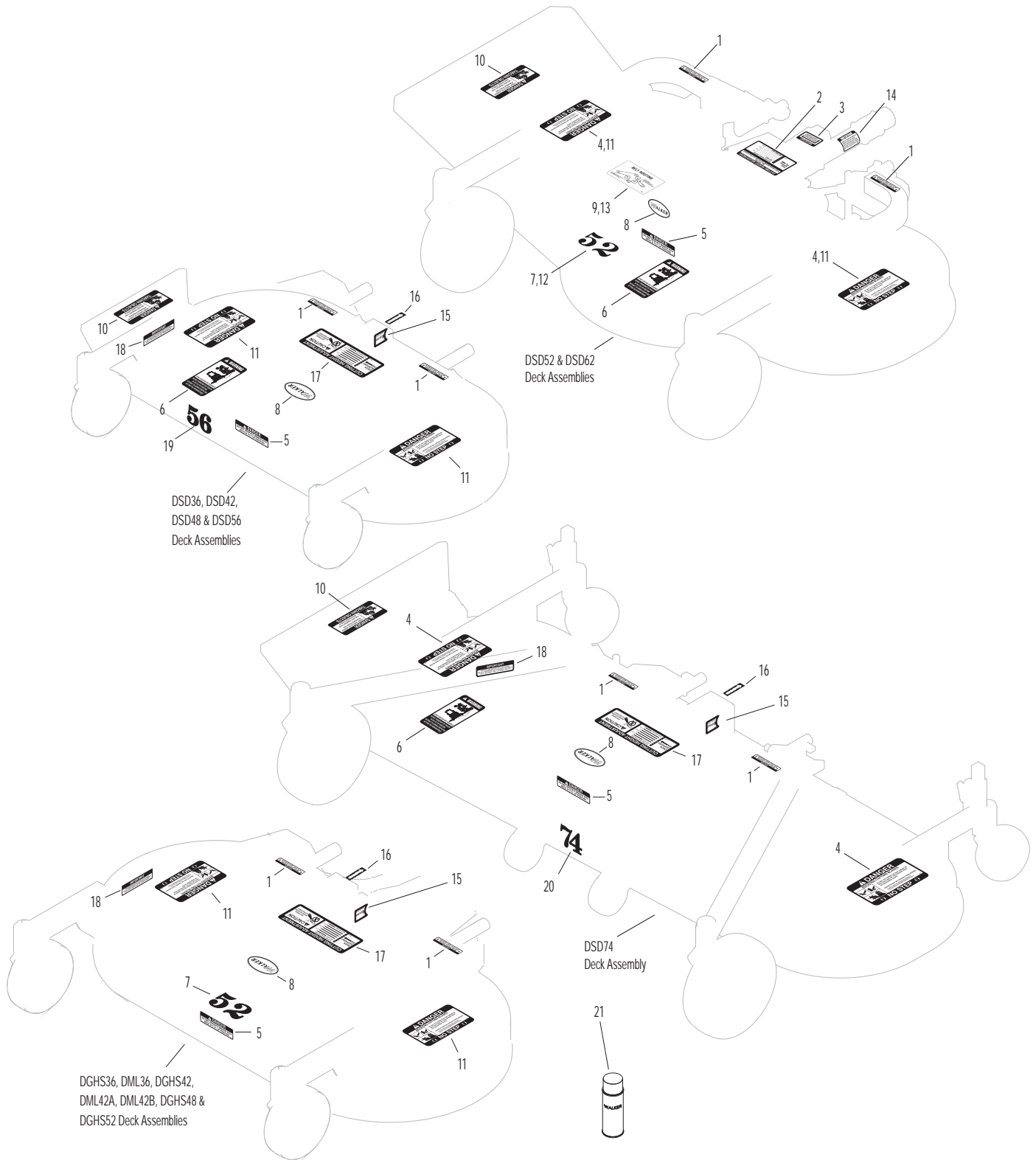
ITEM NO.	PART NO.	DESCRIPTION	LOCATION	NO. REQ'D. GHS	NO. REQ'D SD	
DSD52 And DSD62 Deck Decals						
1	8653	Caution, Pivot Joint	Carrier Frame	0	2	
2	8748	Cutting Height Adjustment	Footrest Pulley Guard	0	1	
3	8746	Universal Joint Lube	Mount Bracket/PTO Guard	0	1	
4	5808-1	Danger, Rotating Blades (52" Deck)	Deck Housing (one on each end)	0	2	
5	8647	Danger, Tilt-Up	Carrier Frame	0	1	
6	8653-1	Transport Warning	Deck Housing, Front	0	1	
7	8732	Decal (52")	Deck Housing, Front	0	1	
8	5809	Walker Mower Logo (3")	Carrier Frame, Front	0	1	
9	8734	Drive Belt Routing	Underneath Deck Cover Plate	0	1	
10	5848	Danger, Side Discharge Shield	Side Discharge Shield	0	1	
11	5808	Danger, Rotating Blades (62" Deck)	Cover Plate (one on each end)	0	2	
12	8750	Decal (62")	Deck Housing, Front	0	1	
13	8749	Drive Belt Routing	Underneath Deck Cover Plate	0	1	
14	8746-1	Decal, Tele PTO Shaft	U-Joint Shaft Assembly	0	1	
36", 42", 48", DGHS52 & 56" Deck Decals						
1	8653	Caution, Pivot Joint	Carrier Frame	2	2	
5	8647	Danger, Tilt-Up	Carrier Frame	1	1	
6	8653-1	Transport Warning	Deck Housing, Front	0	1	
7	8732	Decal (52")	Deck Housing, Front	1	0	
8	5809	Walker Mower Logo (3")	Carrier Frame, Front	1	1	
10	5848	Danger, Side Discharge Shield	Side Discharge Shield	0	1	
11	5808	Danger, Rotating Blades	Deck Housing (one on each end)	2	2	
15	5846	Grease Fitting	Deck Cover Plate	1	1	
16	6875	PTO Alignment Arrow	Universal Joint Shaft Assembly	1	1	
17	5807-3	Cutting Height Adjustment	Gearbox Cover	1	1	
18	5865	Blade Mounting Torque	Carrier Frame	1	1	
19	6789	Decal (56")	Deck Housing, Front	0	1	
DSD74 Deck Decals						
1	8653	Caution, Pivot Joint	Carrier Frame	0	2	
4	5808-1	Danger, Rotating Blades	Deck Housing (one on each end)	0	2	
5	8647	Danger, Tilt-Up	Carrier Frame	0	1	
6	8653-1	Transport Warning	Deck Housing, Front	0	1	
8	5809	Walker Mower Logo (3")	Carrier Frame, Front	0	1	
10	5848	Danger, Side Discharge Shield	Side Discharge Shield	0	1	
15	5846	Grease Fitting	Deck Cover Plate	0	1	
16	6875	PTO Alignment Arrow	Universal Joint Shaft Assembly	0	1	
17	5807-3	Cutting Height Adjustment	Middle Gearbox Cover	0	1	
18	5865	Blade Mounting Torque	Carrier Frame	0	1	
20	7689	Decal (74")	Deck Housing, Front	0	1	
Touch-Up Paint						
21	5866	Touch-Up Paint, Yellow (12 oz. Aerosol)				

NOTE: All parts requiring decals are shipped with decals applied.

Use only genuine **Walker**[®] replacement parts.

Effective Date 08-01-08

DECK DECALS / TOUCH-UP PAINT



36 INCH COMPLETE CARRIER FRAME ASSEMBLY (P/N 5710-4)

ITEM NO.	PART NO.	DESCRIPTION	NO. REQ'D
----------	----------	-------------	-----------

Spring and Pivot Mount Components

1	5975-3	Cable Tie (50# x 7")	4
2	5744-1	Spring Clip Bracket	1
3	5743-1	Spring Cover	2
4	8667-10	Pivot Mount, LH/Adj.	1
5	5830-3	Grease Fitting (45 Degree)	4
6	8667-20	Pivot Mount, RH/Adj.	1
7	5743-4	Eyebolt (3/8-16 x 2-3/4)	2
8	5743-6	Extension Spring (1-1/2 x 7-3/4) (Includes Items # 1, F117 & F166)	2

Carrier Frame Components

9	8674-11	Lever, Deck Lock, LH	1
10	7406-1	Handle Grip (Red)	2
11	8669	Lift Handle	1
12	5748-10	Rubber Mat (1-1/2 x 6)	2
13	5740-2	Deck Pin Bushing (5/8)	4
14	5708-6	36" Carrier Frame (Less Pivots) (Includes Item # 12)	1
	5708-1	36" Carrier Frame w/Forks (Less Pivots) (Includes Items # 12, 21-23, 25, F055, F068 & F098)	*
15	8674-10	Lever, Deck Lock, RH	1
16	5830	Grease Fitting	6

Caster Wheel Components

17	5714-7	Bearing Cap	4
18	5714-5	Bearing, Caster Wheel	2
19	5715-4	Caster Wheel, Pneumatic (8 x 3.00-4) (Includes Items # 5, 17 & 18)	2
	5715-10	Tire, Pneumatic (8 x 3.00-4)	*
	5715-9	Tire Tube, Pneumatic (2.80/2.50-4)	*
	5715-3	Caster Wheel & Tire/No-Flat (8 x 3.00-4)	**
	5715-11	Tire, Caster Wheel/No-Flat (8 x 3.00-4)	**
20	5714-3	Axle Spacer Tube	2
21	5770-1	Caster Wheel Fork	2
22	8768-1	Seal (1-3/4 x 1-1/8)	2
23	8037	Bearing Cone (3/4 ID)	4
24	8769-1	Bearing Cup (1-3/4 x 1-7/16)	4
25	8769-9	Dust Cap, Deck Caster	2

ITEM NO.	PART NO.	DESCRIPTION	NO. REQ'D
----------	----------	-------------	-----------

Fasteners

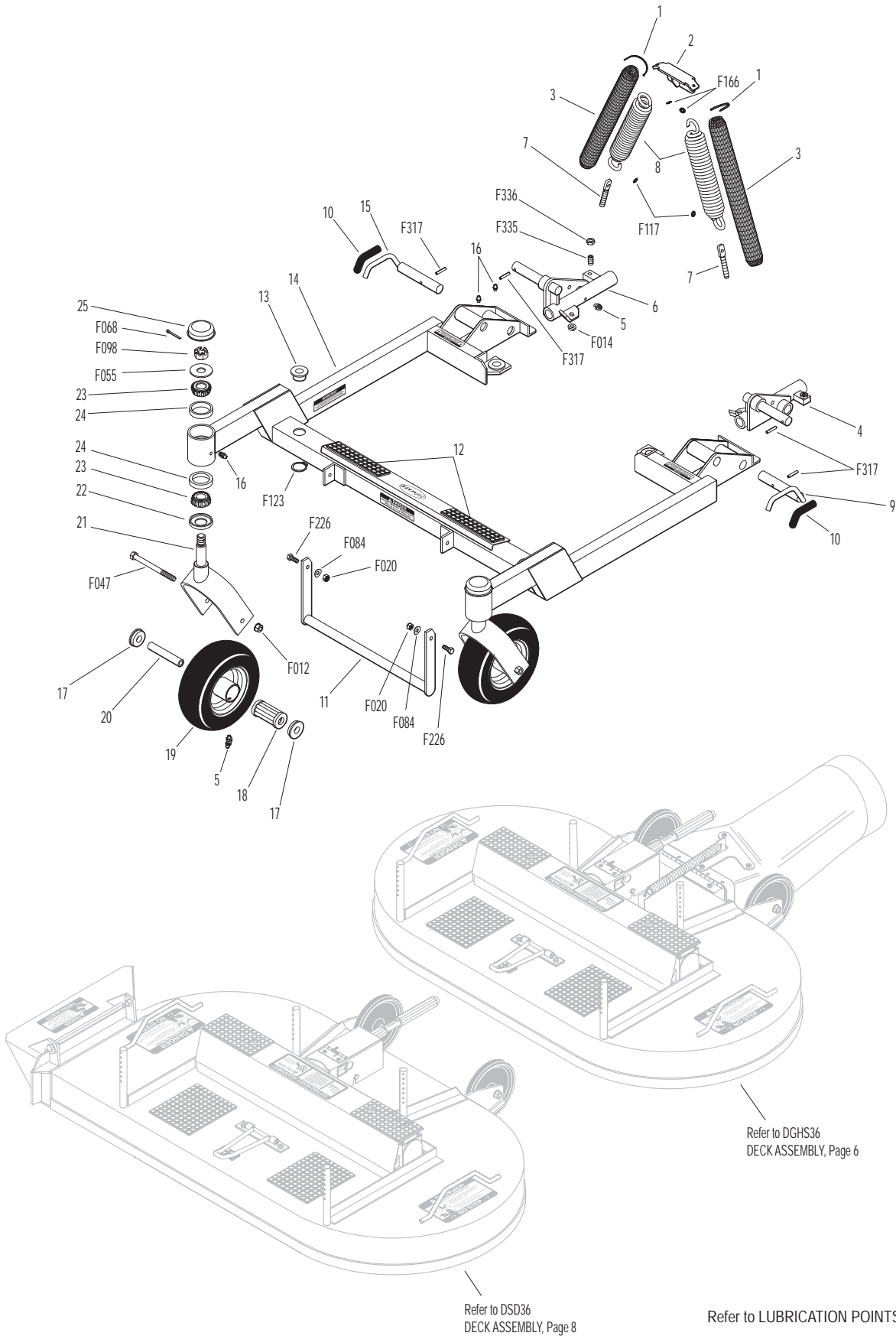
F012	3/8-16 Keps Nut	2
F014	3/8-16 ESNA Nut	2
F020	5/16-18 ESNA Nut	2
F047	3/8-16 x 4-1/2 Hex Bolt	2
F055	5/8 SAE Washer	2
F068	1/8 x 1 Cotter Pin	2
F084	5/16 Wave Spring Washer	2
F098	5/8-18 Slotted Hex Nut	2
F117	Retainer Ring	2
F123	1" External Snap Ring	4
F166	Retainer Ring	2
F226	5/16-18 x 7/8 Hex Bolt	2
F317	3/16 x 1 Split Spring Pin	4
F335	3/8-16 x 7/8 Set Screw, SS	2
F336	3/8-16 Jam Nut	2

* Service Part Only

** May be ordered as a factory-installed option or as a kit for dealer installation. Contact your Walker dealer.

NOTE: When installing Item # 8 on decks prior to S/N DX-62875, the swivel hook end should be attached to the deck carrier frame.

36 INCH COMPLETE CARRIER FRAME ASSEMBLY (P/N 5710-4)



Effective Date 08-01-08

Use only genuine Walker® replacement parts.

DGHS36 DECK ASSEMBLY (P/N 5710-15)

INCL. OPTIONAL HEAVY DUTY GEARBOXES

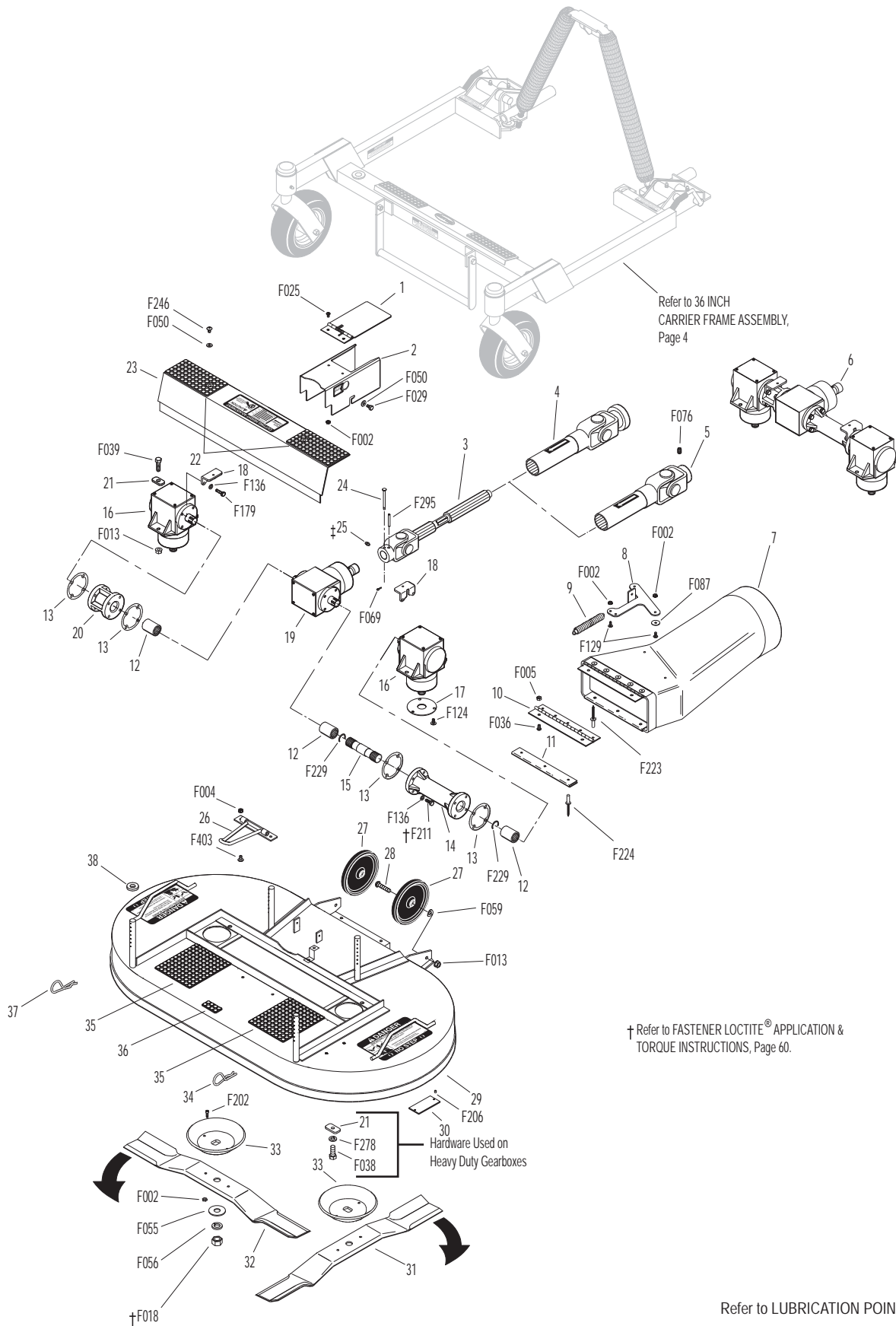
ITEM NO.	PART NO.	DESCRIPTION	NO. REQ'D	ITEM NO.	PART NO.	DESCRIPTION	NO. REQ'D
Gearbox and Drive Components				31	5705-0	Blade, 20" (RH Rotation)	1
1	8618-1	Cover, PTO Shaft Guard	1	32	5705-2	Blade, 20" (LH Rotation)	1
2	8619-2	PTO Shaft Guard	1		5705-6	36 GHS Blade Set W/Hubs (Includes Items # 31-33, F002 & F202)	*
	8618-3	PTO Shaft Guard Assembly (Includes Items # 1, 2, F002 & F025)	*	33	5706	Blade Hub & Trash Guard	2
3	5285-15	U-Joint Shaft Assy, 90 Degree, Spline (Includes Items # 24, F069 & F295)	1	34	7775-1	Hitch Pin, LH (Silver) #6	2
4	7275-16	U-Joint Tube Assy, Spline	1	35	8735-10	Rubber Mat (5 x 6)	2
5	5275-15	U-Joint Tube Assy (9.5" OAL), Spline (Includes Item # F076)	1	36	8788-1	Rubber Mat (1 x 2)	1
6	5704-40	Gearbox and Tube Assembly (Includes Items # 12-20, F124, F136, F179, F211 & F229)	1	37	7775-2	Hitch Pin, RH (Gold) #6	2
	5704-45	Heavy Duty Gearbox and Tube Assembly ** (Includes Items # 12-16, 18-20, F136, F179, F211 & F229)	**	38	5727-1	Washer Shim (5/8 ID)	4
7	5794	Discharge Chute W/O Spring Mount (6-1/2 Diameter) (Includes Items # 7, 10, 11, F223 & F224)	1	Fasteners			
	5794-1	Discharge Chute Assembly with Spring Mount (Includes Items # 7, 8, 10, 11, F223 & F224)	*	F002	10-24 Keps Nut		9
8	8678	Spring Mount, Chute	1	F004	1/4-20 Keps Nut		2
9	8677	Extension Spring (1 x 6-1/16)	1	F005	1/4-20 ESNA Nut		2
10	5726	Chute Hinge (2 x 8)	1	F013	3/8-16 Whiz Locknut		6
11	5755	Chute Lower Lip	1	F018	5/8-18 Hex Nut		2
12	6054	Spline Coupling	3	F025	10-24 x 3/8 PPHMS		2
13	P007	Gasket, Cap (Peerless #788030)	4	F029	1/4-20 x 1/2 Hex Bolt		2
14	5061	Gearbox Connector Tube (6-11/16)	1	F036	1/4-20 x 1/2 SBH Screw		2
15	6732-2	Connecting Shaft (4-1/8)	1	F038	3/8-16 x 1 Hex Bolt		4***
16	5052-1	Gearbox (LH Rotation)	2	F039	3/8-16 x 1-1/4 Hex Bolt		4
	5052-5	Heavy Duty Gearbox (LH Rotation)	**	F050	1/4 SAE Washer		4
17	5706-4	Seal Protector Plate	2	F055	5/8 SAE Washer		2
18	5704-1	Gearbox Cover Support	2	F056	5/8 Split Lock Washer		2
19	5051-16	Tee Gearbox, Shear	1	F059	3/8 Wave Spring Washer		2
	5051-6	Heavy Duty Tee Gearbox, Shear	**	F069	3/32 x 1/2 Cotter Pin		1
20	5060	Gearbox Connector Tube (2-5/16)	1	F076	3/8-16 x 5/8 SQH Set Screw		*
21	5052-3	1.375 x .750 x .187 Washer	4	F087	#10 x 7/8 Fender Washer		2
22	5747-11	Rubber Mat (3 x 6)	2	F124	10-32 x 3/8 Taptite Machine Screw		9
23	5746-4	36" Gearbox Cover (Includes Item # 22)	1	F129	10-24 x 1/2 PTHMS		3
24	8067-13	Shear Pin w/Cotter (Set of 5) (Includes Item # F069)	*	F136	AN960C416L Washer		16
25	5830	Grease Fitting	1	F179	1/4-20 x 1 Hex Bolt		4
Deck Housing Components				F202	10-24 x 5/8 SHC Screw, GR5 SS		4
26	8670	Tilt-Up Hook	1	F206	#2 x 3/16 Drive Pin		2
27	5162-11	Roller Wheel (5" Poly) (Includes Item # F059)	2	F211	1/4-20 x 7/8 Hex Bolt		12
28	8490	Roller Wheel Axle Bolt	2	F223	3/16 x 5/16 Semi-Tube Rivet		*
29	5710-16	36 GHS Deck Housing (Includes Items # 35 & 36)	1	F224	3/16 x 7/16 Semi-Tube Rivet		*
30	NS	Deck Serial Number Plate	1	F229	C-Clip (13/16)		2
				F246	1/4-20 x 1/2 PTHMS		2
				F278	3/8 Split Lock Washer		4***
				F295	3/16 x 1-1/2 Split Spring Pin		1
				F403	1/4-20 x 1/2 PTHMS, SS		2
				* Service Part Only			
				** Item(s) used on the Heavy Duty version of standard gearboxes. The Heavy Duty cast iron gearboxes are interchangeable with Standard aluminum gearboxes.			
				*** Used on Heavy Duty gearbox configuration.			
				NOTE: Order Item # 4 to use the splined deck PTO shaft with Model MT, MD and MC.			
				NOTE: Order Item # 5 to use the splined deck PTO shaft with Model MS.			

Use only genuine Walker® replacement parts.

Effective Date 08-01-08

DGHS36 DECK ASSEMBLY (P/N 5710-15)

INCL. OPTIONAL HEAVY DUTY GEARBOXES



DSD36 DECK ASSEMBLY (P/N 5710-17)

INCL. OPTIONAL HEAVY DUTY GEARBOXES

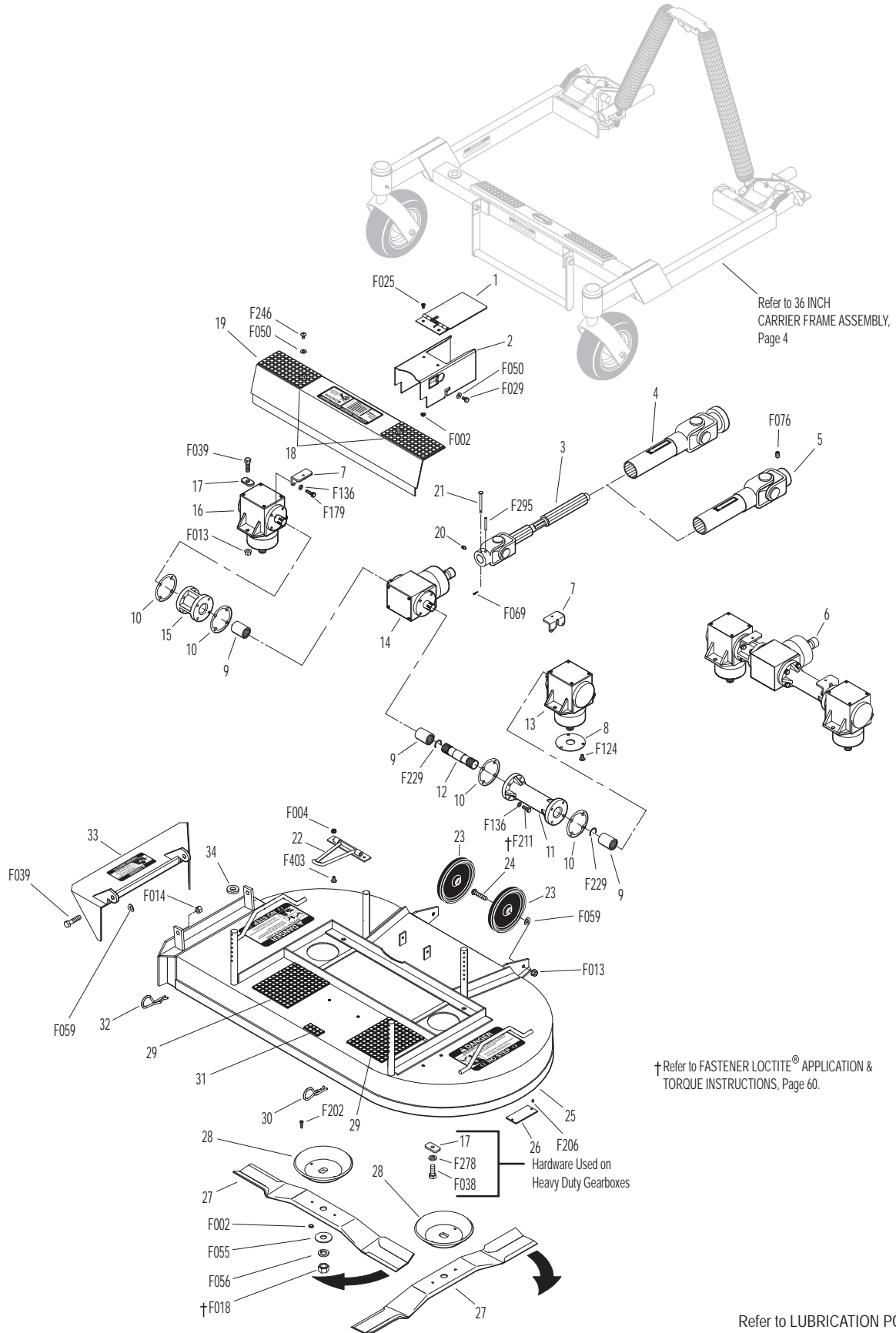
ITEM NO.	PART NO.	DESCRIPTION	NO. REQ'D	ITEM NO.	PART NO.	DESCRIPTION	NO. REQ'D
Gearbox and Drive Components				28	5706	Blade Hub & Trash Guard	2
				29	8735-10	Rubber Mat (5 x 6)	2
1	8618-1	Cover, PTO Shaft Guard	1	30	7775-1	Hitch Pin, LH (Silver) #6	2
2	8619-2	PTO Shaft Guard	1	31	8788-1	Rubber Mat (1 x 2)	1
	8618-3	PTO Shaft Guard Assembly (Includes Items # 1, 2, F002 & F025)	*	32	7775-2	Hitch Pin, RH (Gold) #6	2
3	5285-15	U-Joint Shaft Assy, 90 Degree, Spline (Includes Items # 21, F069 & F295)	1	33	5709-2	36/42 SD Discharge Shield	1
4	7275-16	U-Joint Tube Assy, Spline	1	34	5727-1	Washer Shim (5/8 ID)	4
5	5275-15	U-Joint Tube Assy (9.5" OAL), Spline (Includes Item # F076)	1	Fasteners			
6	5704-43	Gearbox and Tube Assembly (Includes Items # 7-16, F124, F136, F179, F211 & F229)	1	F002	10-24 Keps Nut		6
	5704-46	Heavy Duty Gearbox and Tube Assembly ** (Includes Items # 7, 9-16, F136, F179, F211 & F229)	**	F004	1/4-20 Keps Nut		2
7	5704-1	Gearbox Cover Support	2	F013	3/8-16 Whiz Locknut		6
8	5706-4	Seal Protector Plate	2	F014	3/8-16 ESNA Nut		2
9	6054	Spline Coupling	3	F018	5/8-18 Hex Nut		2
10	P007	Gasket, Cap (Peerless #788030)	4	F025	10-24 x 3/8 PPHMS		2
11	5061	Gearbox Connector Tube (6-11/16)	1	F029	1/4-20 x 1/2 Hex Bolt		2
12	6732-2	Connecting Shaft (4-1/8)	1	F038	3/8-16 x 1 Hex Bolt		4***
13	5052-1	Gearbox (LH Rotation)	1	F039	3/8-16 x 1-1/4 Hex Bolt		6
	5052-5	Heavy Duty Gearbox (LH Rotation)	**	F050	1/4 SAE Washer		4
14	5051-16	Tee Gearbox, Shear	1	F055	5/8 SAE Washer		2
	5051-6	Heavy Duty Tee Gearbox, Shear	**	F056	5/8 Split Lock Washer		2
15	5060	Gearbox Connector Tube (2-5/16)	1	F059	3/8 Wave Spring Washer		4
16	5053-1	Gearbox (RH Rotation)	1	F069	3/32 x 1/2 Cotter Pin		1
	5053-5	Heavy Duty Gearbox (RH Rotation)	**	F076	3/8-16 x 5/8 SQH Set Screw		*
17	5052-3	1.375 x .750 x .187 Washer	4	F124	10-32 x 3/8 Taptite Machine Screw		9
18	5747-11	Rubber Mat (3 x 6)	2	F136	AN960C416L Washer		16
19	5746-4	36" Gearbox Cover (Includes Item # 18)	1	F179	1/4-20 x 1 Hex Bolt		4
20	5830	Grease Fitting	1	F202	10-24 x 5/8 SHC Screw, GR5 SS		4
21	8067-13	Shear Pin w/Cotter (Set of 5) (Includes Item # F069)	*	F206	#2 x 3/16 Drive Pin		2
				F211	1/4-20 x 7/8 Hex Bolt		12
				F229	C-Clip (13/16)		2
				F246	1/4-20 x 1/2 PTHMS		2
				F278	3/8 Split Lock Washer		4***
				F295	3/16 x 1-1/2 Split Spring Pin		1
				F403	1/4-20 x 1/2 PTHMS, SS		2
Deck Housing Components				* Service Part Only			
22	8670	Tilt-Up Hook	1	** Item(s) used on the Heavy Duty version of standard gearboxes. The Heavy Duty cast iron gearboxes are interchangeable with Standard aluminum gearboxes.			
23	5162-11	Roller Wheel (5" Poly) (Includes Item # F059)	2	*** Used on Heavy Duty gearbox configuration.			
24	8490	Roller Wheel Axle Bolt	2	NOTE: Order Item # 4 to use the splined deck PTO shaft with Model MT, MD, MC and MW.			
25	5710-18	36 SD Deck Housing (Includes Items # 23, 24, 29 & 31)	1	NOTE: Order Item # 5 to use the splined deck PTO shaft with Model MS and MB.			
26	NS	Deck Serial Number Plate	1				
27	5705-1	Blade, 20" (RH Rotation)	2				
	5705-5	36 SD Blade Set W/Hubs (Includes Items # 27, 28, F002 & F202)	*				

Use only genuine Walker® replacement parts.

Effective Date 08-01-08

DSD36 DECK ASSEMBLY (P/N 5710-17)

INCL. OPTIONAL HEAVY DUTY GEARBOXES



Effective Date 08-01-08

Use only genuine Walker® replacement parts.

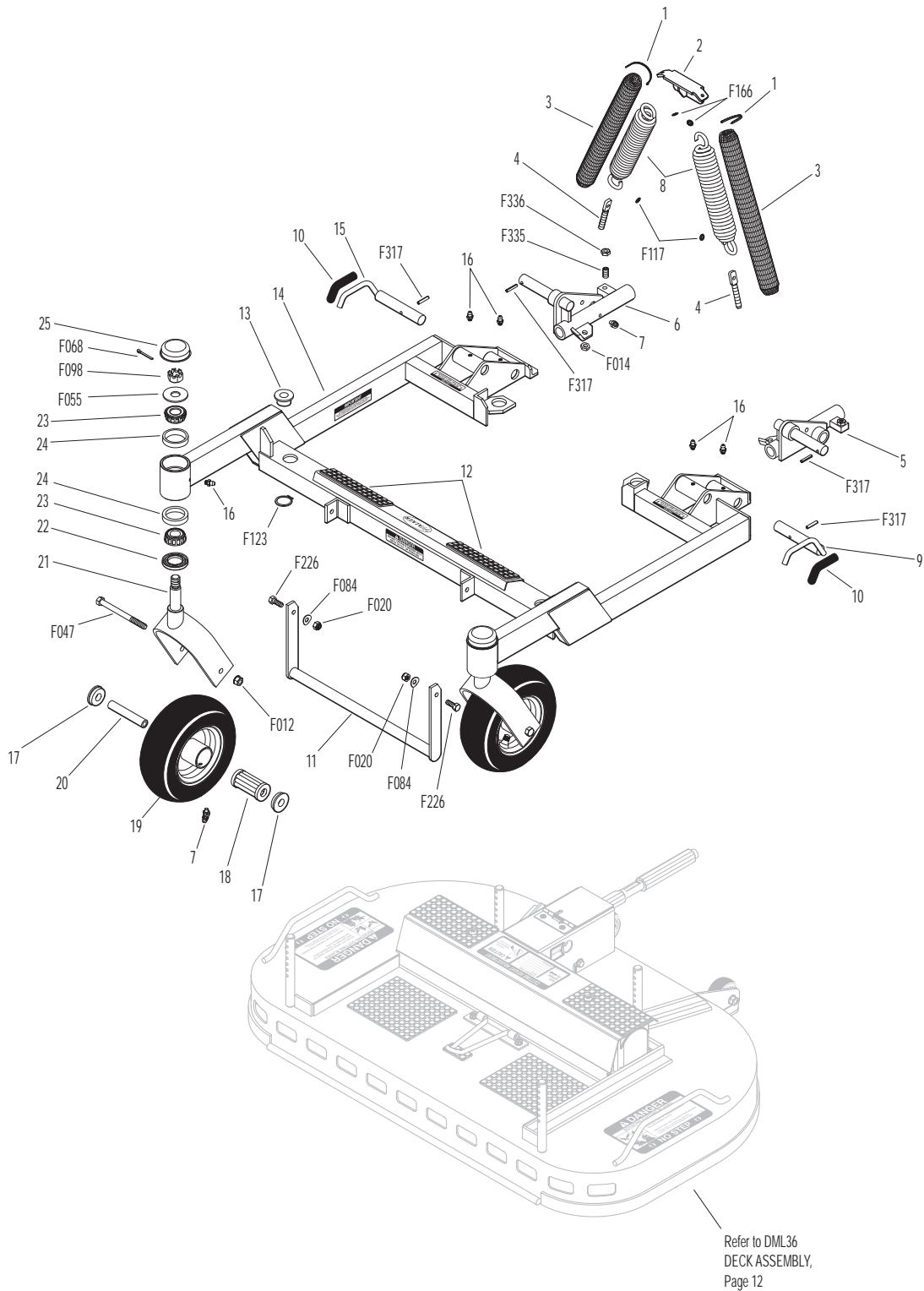
DML36 INCH COMPLETE CARRIER FRAME ASSEMBLY (P/N 5710-5)

ITEM NO.	PART NO.	DESCRIPTION	NO. REQ'D	ITEM NO.	PART NO.	DESCRIPTION	NO. REQ'D
Spring and Pivot Mount Components				Fasteners			
1	5975-3	Cable Tie (50# x 7")	4	F012		3/8-16 Keps Nut	2
2	5744-1	Spring Clip Bracket	1	F014		3/8-16 ESNA Nut	2
3	5743-1	Spring Cover	2	F020		5/16-18 ESNA Nut	2
4	5743-4	Eyebolt (3/8-16 x 2-3/4)	2	F047		3/8-16 x 4-1/2 Hex Bolt	2
5	8667-10	Pivot Mount, LH/Adj.	1	F055		5/8 SAE Washer	2
6	8667-20	Pivot Mount, RH/Adj.	1	F068		1/8 x 1 Cotter Pin	2
7	5830-3	Grease Fitting (45 Degree)	4	F084		5/16 Wave Spring Washer	2
8	5743-6	Extension Spring (1-1/2 x 7-3/4) (Includes Items # 1, F117 & F166)	2	F098		5/8-18 Slotted Hex Nut	2
Carrier Frame Components				F117		Retainer Ring	2
9	8674-11	Lever, Deck Lock, LH	1	F123		1" External Snap Ring	4
10	7406-1	Handle Grip (Red)	2	F166		Retainer Ring	2
11	8669	Lift Handle	1	F226		5/16-18 x 7/8 Hex Bolt	2
12	5748-10	Rubber Mat (1-1/2 x 6)	2	F317		3/16 x 1 Split Spring Pin	4
13	5740-2	Deck Pin Bushing (5/8)	4	F335		3/8-16 x 7/8 Set Screw, SS	2
14	5708-8	DML36 Carrier Frame (Includes Item # 12)	1	F336		3/8-16 Jam Nut	2
	5708-7	DML36 Carrier Frame W/Forks (Includes Items # 12, 21-23, 25, F055, F068 & F098)	*	* Service Part Only			
15	8674-10	Lever, Deck Lock, RH	1	** May be ordered as a factory-installed option or as a kit for dealer installation. Contact your Walker dealer.			
16	5830	Grease Fitting	6				
Caster Wheel Components							
17	5714-7	Bearing Cap	4				
18	5714-5	Bearing, Caster Wheel	2				
19	5715-4	Caster Wheel, Pneumatic (8 x 3.00-4) (Includes Items # 7, 17 & 18)	2				
	5715-10	Tire, Pneumatic (8 x 3.00-4)	*				
	5715-9	Tire Tube, Pneumatic (2.80/2.50-4)	*				
	5715-3	Caster Wheel & Tire/No-Flat (8 x 3.00-4)	**				
	5715-11	Tire, Caster Wheel/No-Flat (8 x 3.00-4)	**				
20	5714-3	Axle Spacer Tube	2				
21	5770-1	Caster Wheel Fork	2				
22	8768-1	Seal (1-3/4 x 1-1/8)	2				
23	8037	Bearing Cone (3/4 ID)	4				
24	8769-1	Bearing Cup (1-3/4 x 1-7/16)	4				
25	8769-9	Dust Cap, Deck Caster	2				

Use only genuine Walker® replacement parts.

Effective Date 08-01-08

DML36 INCH COMPLETE CARRIER FRAME ASSEMBLY (P/N 5710-5)



Refer to LUBRICATION POINTS, Page 58.

Effective Date 08-01-08

Use only genuine Walker® replacement parts.

DML36 DECK ASSEMBLY (P/N 5710-11)

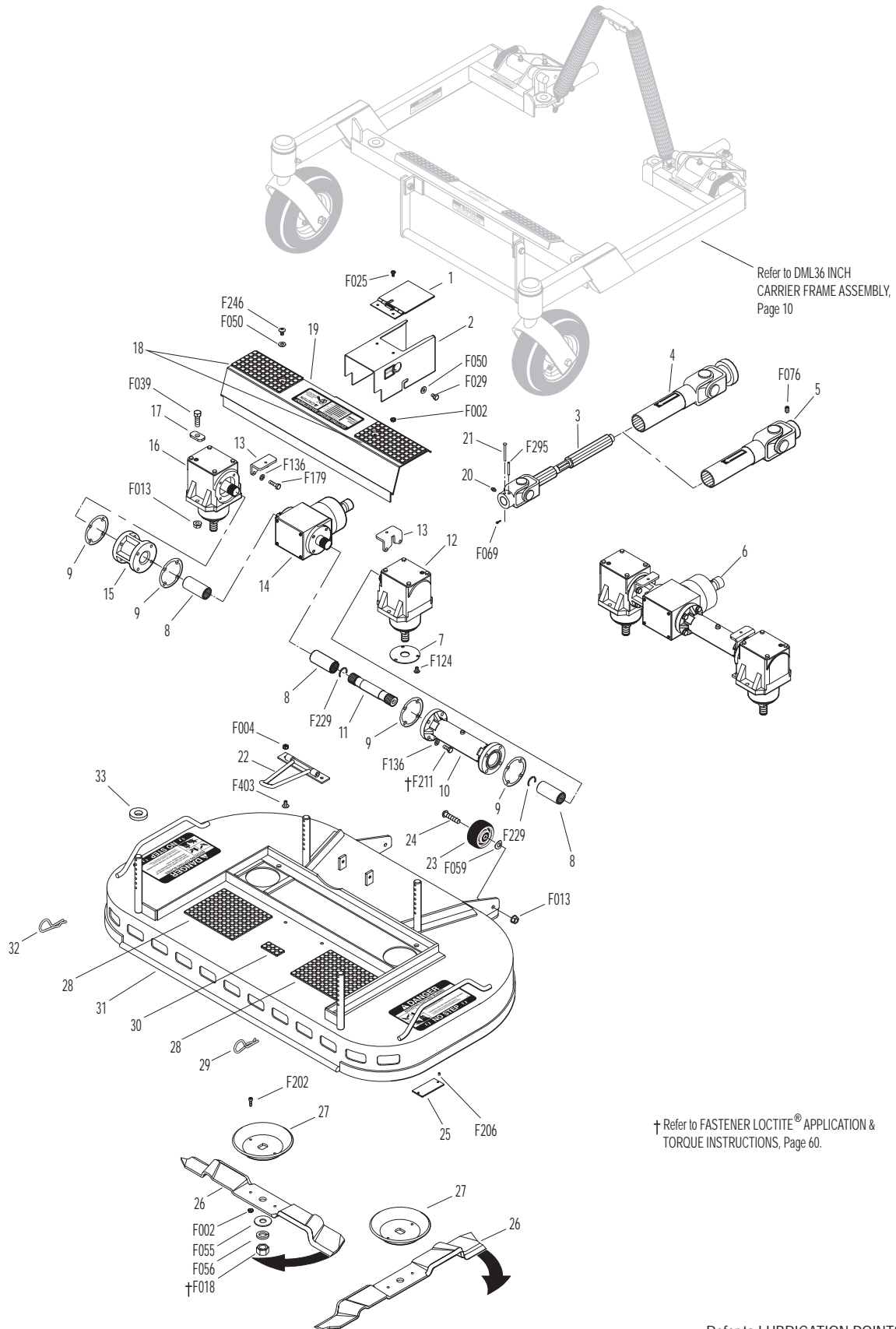
ITEM NO.	PART NO.	DESCRIPTION	NO. REQ'D	ITEM NO.	PART NO.	DESCRIPTION	NO. REQ'D
Gearbox and Drive Components				28	8735-10	Rubber Mat (5 x 6)	2
1	8618-1	Cover, PTO Shaft Guard	1	29	7775-1	Hitch Pin, LH (Silver) #6	2
2	8619-2	PTO Shaft Guard	1	30	8788-1	Rubber Mat (1 x 2)	1
	8618-3	PTO Shaft Guard Assembly (Includes Items # 1, 2, F002 & F025)	*	31	5702-7	DML36 Deck Housing (Includes Items # 28 & 30)	1
3	5285-15	U-Joint Shaft Assy, 90 Degree, Spline (Includes Items # 21, F069 & F295)	1	32	7775-2	Hitch Pin, RH (Gold) #6	2
4	7275-16	U-Joint Tube Assy, Spline	1	33	5727-1	Washer Shim (5/8 ID)	4
5	5275-15	U-Joint Tube Assy (9.5" OAL), Spline (Includes Item # F076)	1	Fasteners			
6	5704-82	DML36 Gearbox Tube Assembly (Includes Items # 7-16, F136, F179, F211 & F229)	1	F002	10-24 Keps Nut		6
7	5706-4	Seal Protector Plate	2	F004	1/4-20 Keps Nut		2
8	6054	Spline Coupling	3	F013	3/8-16 Whiz Locknut		6
9	P007	Gasket, Cap (Peerless #788030)	4	F018	5/8-18 Hex Nut		2
10	5065	Connector Tube (7-11/16)	1	F025	10-24 x 3/8 PPHMS		2
11	6732-4	Connecting Shaft (5-5/16)	1	F029	1/4-20 x 1/2 Hex Bolt		2
12	5052-4	Gearbox (LH 1.2:1)	1	F039	3/8-16 x 1-1/4 Hex Bolt		4
13	5704-1	Gearbox Cover Support	2	F050	1/4 SAE Washer		4
14	5051-16	Tee Gearbox, Shear	1	F055	5/8 SAE Washer		2
15	5060	Connector Tube (2-5/16)	1	F056	5/8 Split Lock Washer		2
16	5053-4	Gearbox (RH 1.2:1)	1	F059	3/8 Wave Spring Washer		2
17	5052-3	1.375 x .750 x .187 Washer	4	F069	3/32 x 1/2 Cotter Pin		1
18	5747-11	Rubber Mat (3 x 6)	2	F076	3/8-16 x 5/8 SQH Set Screw		*
19	5746-6	DML36 Gearbox Cover (Includes Item # 18)	1	F124	10-32 x 3/8 Taptite MS		6
20	5830	Grease Fitting	1	F136	AN960C416L Washer		16
21	8067-13	Shear Pin w/Cotter (Set of 5) (Includes Item # F069)	*	F179	1/4-20 x 1 Hex Bolt		4
Deck Housing Components				F202	10-24 x 5/8 SHC Screw, GR5 SS		4
22	8670	Tilt-Up Hook	1	F206	#2 x 3/16 Drive Pin		2
23	9772	Roller Wheel Assembly (2-1/2) (Includes Item # F059)	2	F211	1/4-20 x 7/8 Hex Bolt		12
24	8490	Roller Wheel Axle Bolt	2	F229	C-Clip (13/16)		2
25	NS	Deck Serial Number Plate	1	F246	1/4-20 x 1/2 PTHMS		2
26	5705-23	Blade 19" Mulch, Special	2	F295	3/16 x 1-1/2 Split Spring Pin		1
27	5706	Blade Hub & Trash Guard	2	F403	1/4-20 x 1/2 PTHMS, SS		2

* Service Part Only

NOTE: Order Item # 4 to use the splined deck PTO shaft with Model MT, MD, MC and MW.

NOTE: Order Item # 5 to use the splined deck PTO shaft with Model MS and MB.

DML36 DECK ASSEMBLY (P/N 5710-11)



42 INCH COMPLETE CARRIER FRAME ASSEMBLY (P/N 5700-11)

ITEM NO.	PART NO.	DESCRIPTION	NO. REQ'D
----------	----------	-------------	-----------

Spring and Pivot Mount Components

1	5975-3	Cable Tie (50# x 7")	4
2	5744-1	Spring Clip Bracket	1
3	5743-1	Spring Cover	2
4	5743-3	Eyebolt (3/8-16 x 2)	2
5	8667-10	Pivot Mount, LH/Adj.	1
6	8667-20	Pivot Mount, RH/Adj.	1
7	5830-3	Grease Fitting (45 Degree)	4
8	5743-6	Extension Spring (1-1/2 x 7-3/4) (Includes Items # 1, F117 & F166)	2

Carrier Frame Components

9	8674-11	Lever, Deck Lock, LH	1
10	7406-1	Handle Grip (Red)	2
11	8669	Lift Handle	1
12	5748-10	Rubber Mat (1-1/2 x 6)	2
13	5740-2	Deck Pin Bushing (5/8)	4
14	8660-13	42" Carrier Frame (Less Pivots) (Includes Item # 12)	1
	8660-12	42" Carrier Frame w/Forks (Less Pivots) (Includes Items # 12, 21-23, 25, F055, F068 & F098)	*
15	8674-10	Lever, Deck Lock, RH	1
16	5830	Grease Fitting	6

Caster Wheel Components

17	5714-7	Bearing Cap	4
18	5714-5	Bearing, Caster Wheel	2
19	5715-4	Caster Wheel, Pneumatic (8 x 3.00-4) (Includes Items # 7, 17 & 18)	2
	5715-10	Tire, Pneumatic (8 x 3.00-4)	*
	5715-9	Tire Tube, Pneumatic (2.80/2.50-4)	*
	5715-3	Caster Wheel & Tire/No-Flat (8 x 3.00-4)	**
	5715-11	Tire, Caster Wheel/No-Flat (8 x 3.00-4)	**
20	5714-3	Axle Spacer Tube	2
21	5770-1	Caster Wheel Fork	2
22	8768-1	Seal (1-3/4 x 1-1/8)	2
23	8037	Bearing Cone (3/4 ID)	4
24	8769-1	Bearing Cup (1-3/4 x 1-7/16)	4
25	8769-9	Dust Cap, Deck Caster	2

ITEM NO.	PART NO.	DESCRIPTION	NO. REQ'D
----------	----------	-------------	-----------

Fasteners

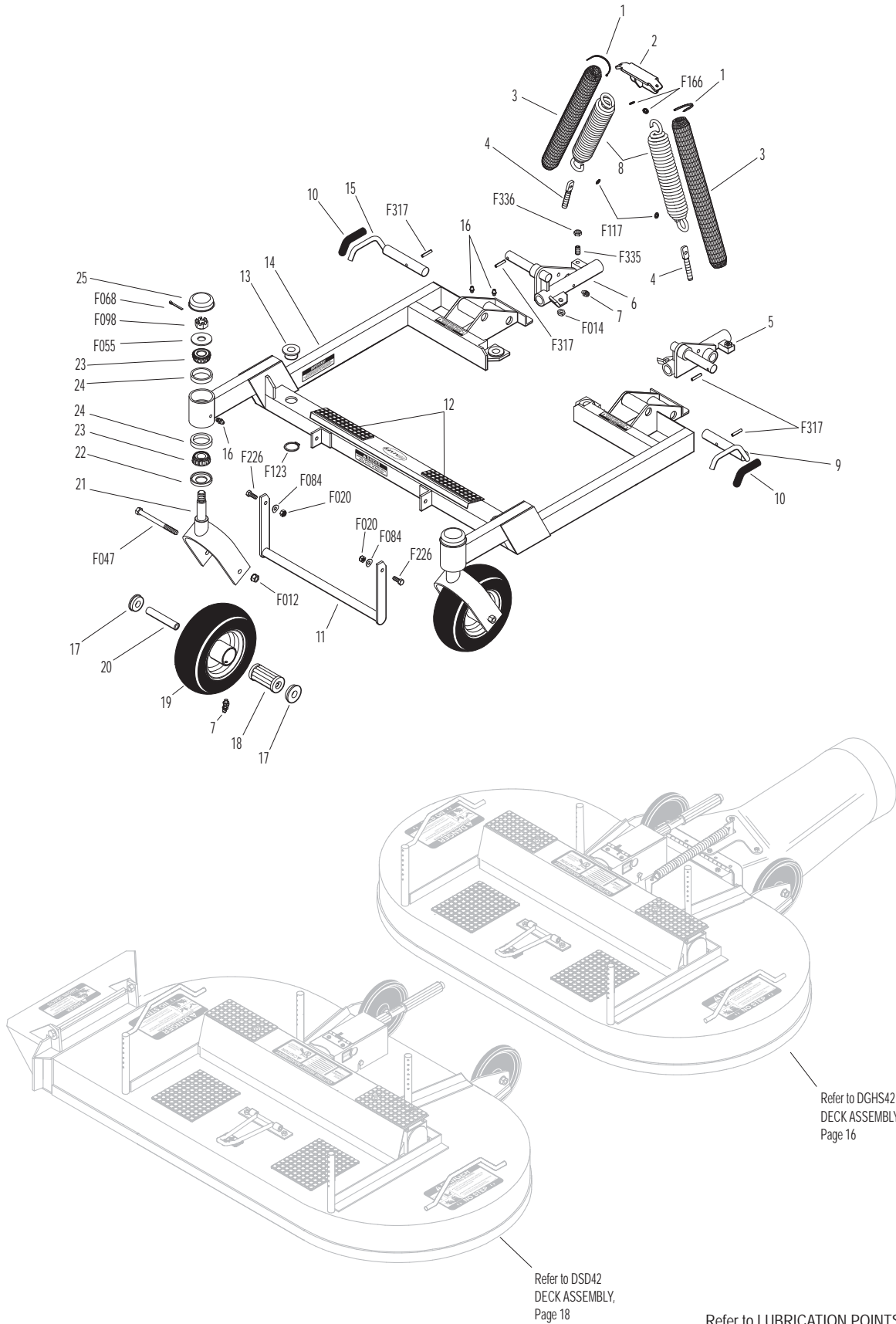
F012	3/8-16 Keps Nut	2
F014	3/8-16 ESNA Nut	2
F020	5/16-18 ESNA Nut	2
F047	3/8-16 x 4-1/2 Hex Bolt	2
F055	5/8 SAE Washer	2
F068	1/8 x 1 Cotter Pin	2
F084	5/16 Wave Spring Washer	2
F098	5/8-18 Slotted Hex Nut	2
F117	Retainer Ring	2
F123	1" External Snap Ring	4
F166	Retainer Ring	2
F226	5/16-18 x 7/8 Hex Bolt	2
F317	3/16 x 1 Split Spring Pin	4
F335	3/8-16 x 7/8 Set Screw, SS	2
F336	3/8-16 Jam Nut	2

* Service Part Only

** May be ordered as a factory-installed option or as a kit for dealer installation. Contact your Walker dealer.

NOTE: When installing Item # 8 on decks prior to S/N DX-62875, the swivel hook end should be attached to the deck carrier frame.

42 INCH COMPLETE CARRIER FRAME ASSEMBLY (P/N 5700-11)



DGHS42 DECK ASSEMBLY (P/N 5705)

INCL. OPTIONAL HEAVY DUTY GEARBOXES

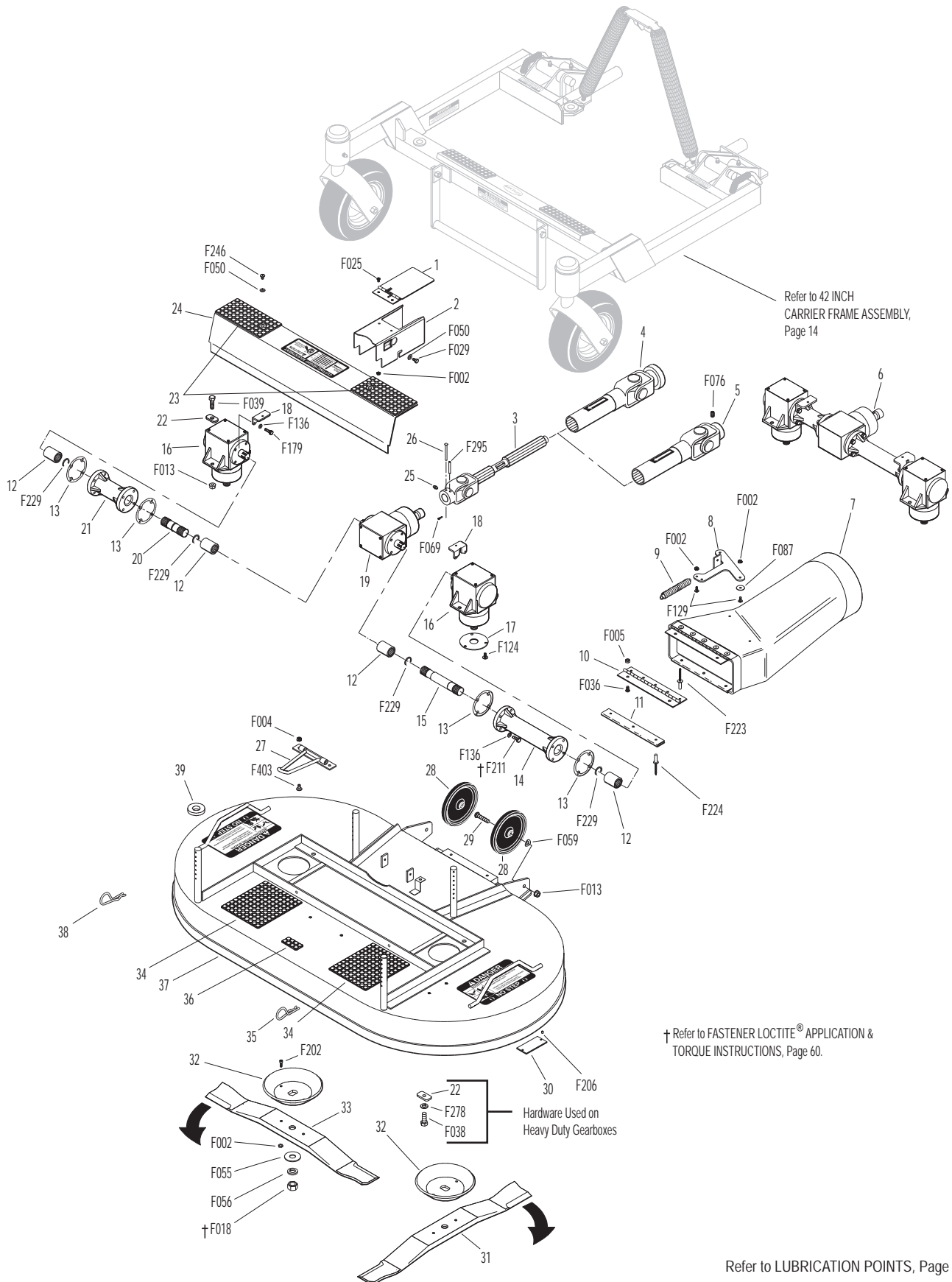
ITEM NO.	PART NO.	DESCRIPTION	NO. REQ'D	ITEM NO.	PART NO.	DESCRIPTION	NO. REQ'D
Gearbox and Drive Components				33	5705-4	Blade, 22" (LH Rotation)	1
1	8618-1	Cover, PTO Shaft Guard	1		5705-8	42 GHS Blade Set with Hubs (Includes Items # 31-33, F002 & F202)	*
2	8619	PTO Shaft Guard	1				
	8618	PTO Shaft Guard Assembly (Includes Items # 1, 2, F002 & F025)	*	34	8735-10	Rubber Mat (5 x 6)	2
3	5285-15	U-Joint Shaft Assy, 90 Degree, Spline (Includes Items # 26, F069 & F295)	1	35	7775-1	Hitch Pin, LH (Silver) #6	2
4	7275-16	U-Joint Tube Assy, Spline	1	36	8788-1	Rubber Mat (1 x 2)	1
5	5275-15	U-Joint Tube Assy (9.5" OAL), Spline (Includes Item # F076)	1	37	5704-4	42 GHS Deck Housing (Includes Items # 34 & 36)	1
6	5704-50	Gearbox and Tube Assembly (Includes Items # 12-21, F124, F136, F179, F211 & F229)	1	38	7775-2	Hitch Pin, RH (Gold) #6	2
	5704-8	Heavy Duty Gearbox and Tube Assembly (Includes Items # 12-16, 18-21, F136, F179, F211 & F229)	**	39	5727-1	Washer Shim (5/8 ID)	4
7	5794	Discharge Chute W/O Spring Mount (6-1/2 Diameter) (Includes Items # 7, 10, 11, F223 & F224)	1	Fasteners			
	5794-1	Discharge Chute Assembly with Spring Mount (Includes Items # 7, 8, 10, 11, F223 & F224)	*	F002	10-24 Keps Nut		9
8	8678	Spring Mount, Chute	1	F004	1/4-20 Keps Nut		2
9	8677	Extension Spring (1 x 6-1/16)	1	F005	1/4-20 ESNA Nut		2
10	5726	Chute Hinge (2 x 8)	1	F013	3/8-16 Whiz Locknut		6
11	5755	Chute Lower Lip	1	F018	5/8-18 Hex Nut		2
12	6054	Spline Coupling	4	F025	10-24 x 3/8 PPHMS		2
13	P007	Gasket, Cap (Peerless #788030)	4	F029	1/4-20 x 1/2 Hex Bolt		2
14	5063	Gearbox Connector Tube (8-5/8)	1	F036	1/4-20 x 1/2 SBH Screw		2
15	6732-3	Connecting Shaft (6-1/4)	1	F038	3/8-16 x 1 Hex Bolt		4***
16	5052-1	Gearbox (LH Rotation)	2	F039	3/8-16 x 1-1/4 Hex Bolt		4
	5052-5	Heavy Duty Gearbox (LH Rotation)	**	F050	1/4 SAE Washer		4
17	5706-4	Seal Protector Plate	2	F055	5/8 SAE Washer		2
18	5704-1	Gearbox Cover Support	2	F056	5/8 Split Lock Washer		2
19	5051-16	Tee Gearbox, Shear	1	F059	3/8 Wave Spring Washer		2
	5051-6	Heavy Duty Tee Gearbox, Shear	**	F069	3/32 x 1/2 Cotter Pin		1
20	6732-1	Connecting Shaft (2")	1	F076	3/8-16 x 5/8 SQH Set Screw		*
21	5062	Gearbox Connector Tube (4-3/8)	1	F087	#10 x 7/8 Fender Washer		2
22	5052-3	1.375 x .750 x .187 Washer	4	F124	10-32 x 3/8 Taptite Machine Screw		6
23	5747-11	Rubber Mat (3 x 6)	2	F129	10-24 x 1/2 PTHMS		3
24	5785-5	42" Gearbox Cover (Includes Item # 23)	1	F136	AN960C416L Washer		16
25	5830	Grease Fitting	1	F179	1/4-20 x 1 Hex Bolt		4
26	8067-13	Shear Pin w/Cotter (Set of 5) (Includes Item # F069)	*	F202	10-24 x 5/8 SHC Screw, GR5 SS		4
Deck Housing Components				F206	#2 x 3/16 Drive Pin		2
27	8670	Tilt-Up Hook	1	F211	1/4-20 x 7/8 Hex Bolt		12
28	5162-11	Roller Wheel (5" Poly) (Includes Item # F059)	2	F223	3/16 x 5/16 Semi-Tube Rivet		*
29	8490	Roller Wheel Axle Bolt	2	F224	3/16 x 7/16 Semi-Tube Rivet		*
30	NS	Deck Serial Number Plate	1	F229	C-Clip (13/16)		4
31	5705-3	Blade, 22" (RH Rotation)	1	F246	1/4-20 x 1/2 PTHMS		2
32	5706	Blade Hub & Trash Guard	2	F278	3/8 Split Lock Washer		4***
				F295	3/16 x 1-1/2 Split Spring Pin		1
				F403	1/4-20 x 1/2 PTHMS, SS		2
				* Service Part Only			
				** Item(s) used on the Heavy Duty version of standard gearboxes. The Heavy Duty cast iron gearboxes are interchangeable with Standard aluminum gearboxes.			
				*** Used on Heavy Duty gearbox configuration.			
				NOTE: Order Item # 4 to use the splined deck PTO shaft with Model MT, MD and MC.			
				NOTE: Order Item # 5 to use the splined deck PTO shaft with Model MS.			

Use only genuine Walker® replacement parts.

Effective Date 08-01-08

DGHS42 DECK ASSEMBLY (P/N 5705)

INCL. OPTIONAL HEAVY DUTY GEARBOXES



Effective Date 08-01-08

Use only genuine Walker® replacement parts.

DSD42 DECK ASSEMBLY (P/N 5707-10)

INCL. OPTIONAL HEAVY DUTY GEARBOXES

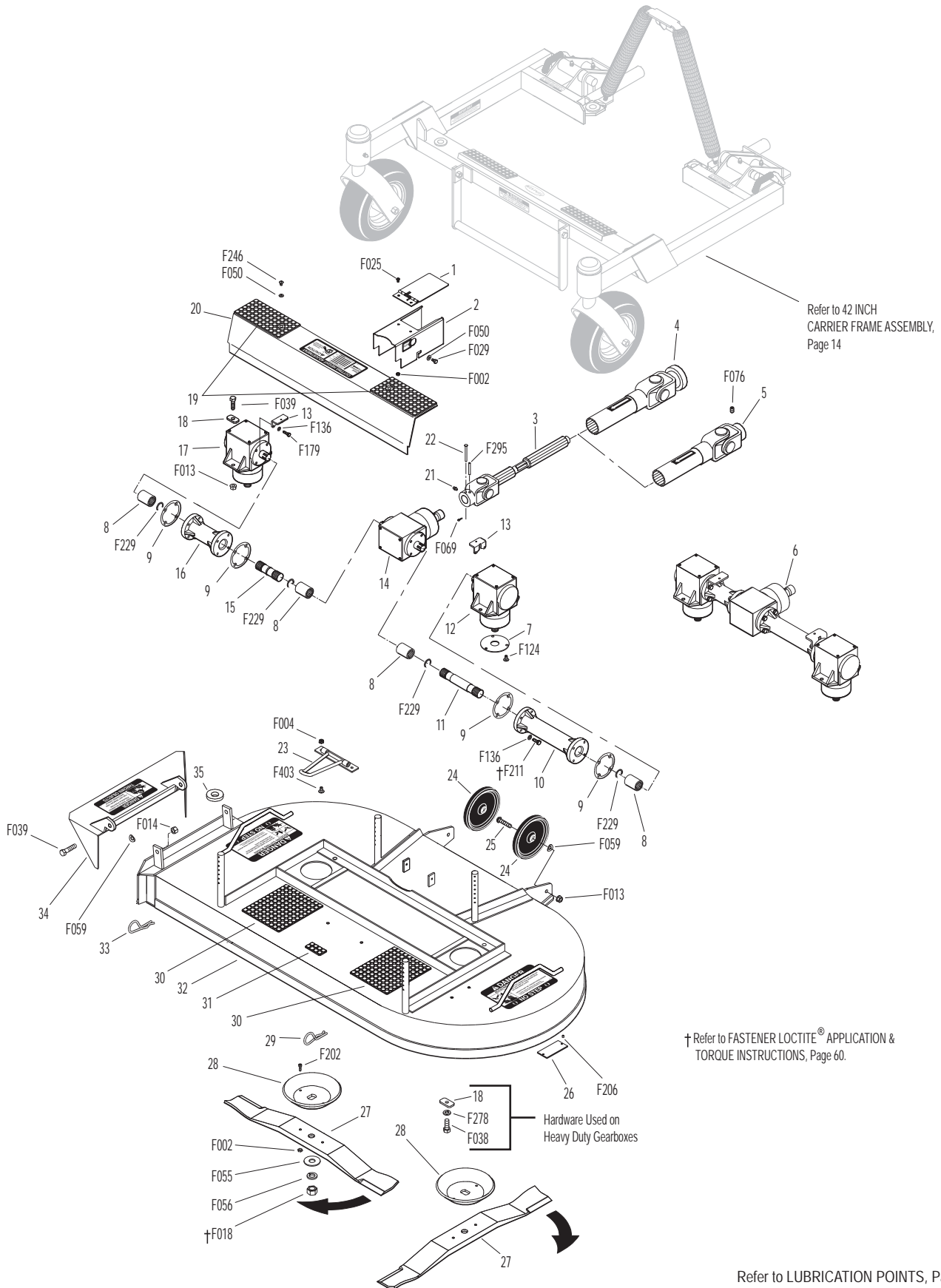
ITEM NO.	PART NO.	DESCRIPTION	NO. REQ'D	ITEM NO.	PART NO.	DESCRIPTION	NO. REQ'D
Gearbox and Drive Components				30	8735-10	Rubber Mat (5 x 6)	2
1	8618-1	Cover, PTO Shaft Guard	1	31	8788-1	Rubber Mat (1 x 2)	1
2	8619	PTO Shaft Guard	1	32	5703-3	42 SD Deck Housing	1
	8618	PTO Shaft Guard Assembly (Includes Items # 1, 2, F002 & F025)	*			(Includes Items # 30 & 31)	
3	5285-15	U-Joint Shaft Assy, 90 Degree, Spline (Includes Items # 22, F069 & F295)	1	33	7775-2	Hitch Pin, RH (Gold) #6	2
4	7275-16	U-Joint Tube Assy, Spline	1	34	5709-2	36/42 SD Discharge Shield	1
5	5275-15	U-Joint Tube Assy (9.5" OAL), Spline (Includes Item # F076)	1	35	5727-1	Washer Shim (5/8 ID)	4
6	5704-51	Gearbox and Tube Assembly (Includes Items # 7-17, F124, F136, F179, F211 & F229)	1	Fasteners			
	5704-54	Heavy Duty Gearbox and Tube Assembly ** (Includes Items # 8-17, F136, F179, F211 & F229)	**	F002		10-24 Keps Nut	6
7	5706-4	Seal Protector Plate	2	F004		1/4-20 Keps Nut	2
8	6054	Spline Coupling	4	F013		3/8-16 Whiz Locknut	6
9	P007	Gasket, Cap (Peerless #788030)	4	F014		3/8-16 ESNA Nut	2
10	5063	Gearbox Connector Tube (8-5/8)	1	F018		5/8-18 Hex Nut	2
11	6732-3	Connecting Shaft (6-1/4)	1	F025		10-24 x 3/8 PPHMS	2
12	5052-1	Gearbox (LH Rotation)	1	F029		1/4-20 x 1/2 Hex Bolt	2
	5052-5	Heavy Duty Gearbox (LH Rotation)	**	F038		3/8-16 x 1 Hex Bolt	4***
13	5704-1	Gearbox Cover Support	2	F039		3/8-16 x 1-1/4 Hex Bolt	6
14	5051-16	Tee Gearbox, Shear	1	F050		1/4 SAE Washer	4
	5051-6	Heavy Duty Tee Gearbox, Shear	**	F055		5/8 SAE Washer	2
15	6732-1	Connecting Shaft (2")	1	F056		5/8 Split Lock Washer	2
16	5062	Gearbox Connector Tube (4-3/8)	1	F059		3/8 Wave Spring Washer	4
17	5053-1	Gearbox (RH Rotation)	1	F069		3/32 x 1/2 Cotter Pin	1
	5053-5	Heavy Duty Gearbox (RH Rotation)	**	F076		3/8-16 x 5/8 SQH Set Screw	*
18	5052-3	1.375 x .750 x .187 Washer	4	F124		10-32 x 3/8 Taptite Machine Screw	6
19	5747-11	Rubber Mat (3 x 6)	2	F136		AN960C416L Washer	16
20	5785-5	42" Gearbox Cover (Includes Item # 19)	1	F179		1/4-20 x 1 Hex Bolt	4
21	5830	Grease Fitting	1	F202		10-24 x 5/8 SHC Screw, GR5 SS	4
22	8067-13	Shear Pin w/Cotter (Set of 5) (Includes Item # F069)	*	F206		#2 x 3/16 Drive Pin	2
Deck Housing Components				F211		1/4-20 x 7/8 Hex Bolt	12
23	8670	Tilt-Up Hook	1	F229		C-Clip (13/16)	4
24	5162-11	Roller Wheel (5" Poly) (Includes Item # F059)	2	F246		1/4-20 x 1/2 PTHMS	2
25	8490	Roller Wheel Axle Bolt	2	F278		3/8 Split Lock Washer	4***
26	NS	Deck Serial Number Plate	1	F295		3/16 x 1-1/2 Split Spring Pin	1
27	5705-3	Blade, 22" (RH Rotation)	2	F403		1/4-20 x 1/2 PTHMS, SS	2
	5705-7	42 SD Blade Set with Hubs (Includes Items # 27, 28, F002 & F202)	*	* Service Part Only			
28	5706	Blade Hub & Trash Guard	2	** Item(s) used on the Heavy Duty version of standard gearboxes. The Heavy Duty cast iron gearboxes are interchangeable with Standard aluminum gearboxes.			
29	7775-1	Hitch Pin, LH (Silver) #6	2	*** Used on Heavy Duty gearbox configuration.			
				NOTE: Order Item # 4 to use the splined deck PTO shaft with Model MT, MD, MC and MW.			
				NOTE: Order Item # 5 to use the splined deck PTO shaft with Model MS and MB.			

Use only genuine Walker® replacement parts.

Effective Date 08-01-08

DSD42 DECK ASSEMBLY (P/N 5707-10)

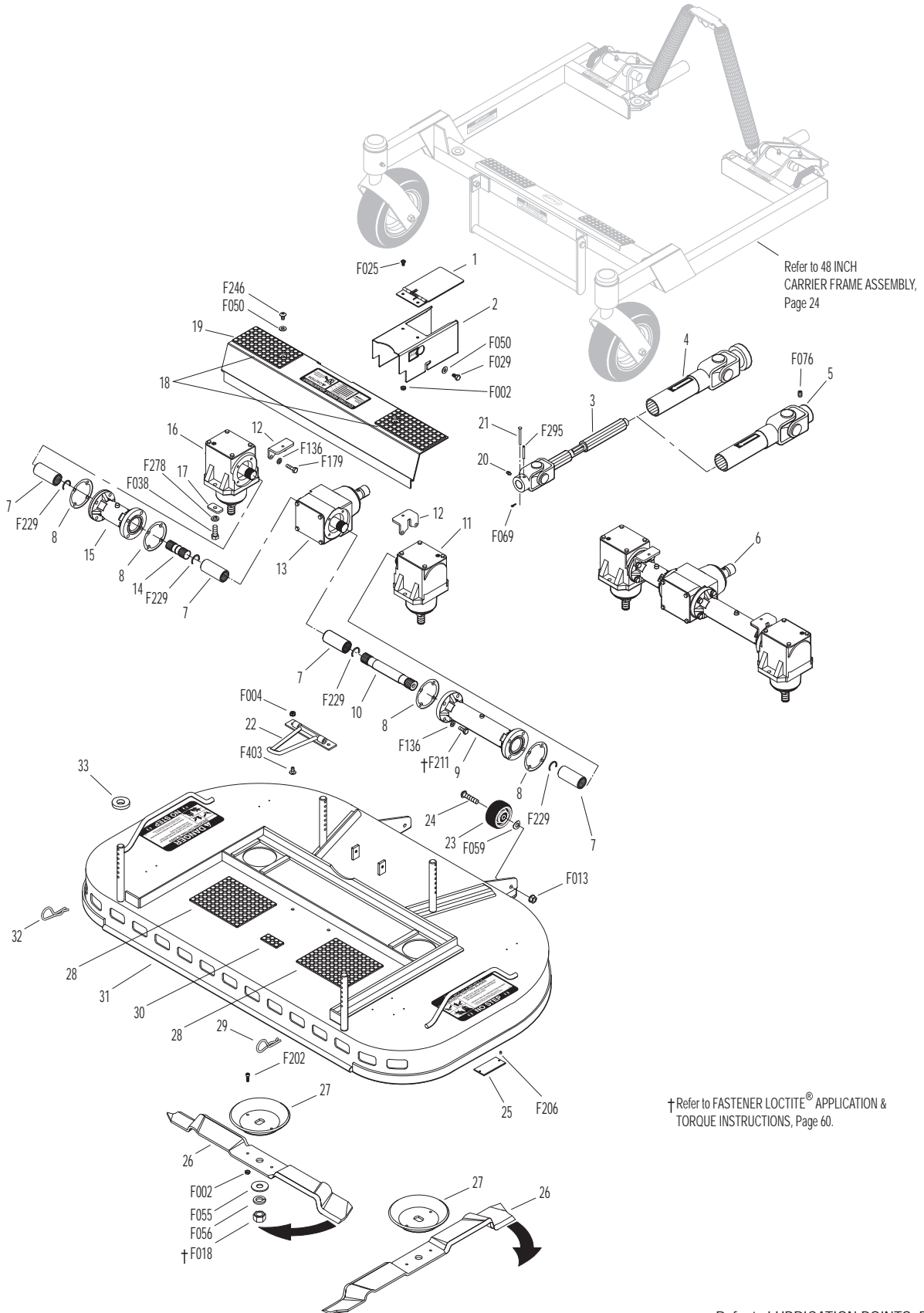
INCL. OPTIONAL HEAVY DUTY GEARBOXES



DML42A DECK ASSEMBLY (P/N 5707-1)

ITEM NO.	PART NO.	DESCRIPTION	NO. REQ'D	ITEM NO.	PART NO.	DESCRIPTION	NO. REQ'D
Gearbox and Drive Components				27	5706	Blade Hub & Trash Guard	2
1	8618-1	Cover, PTO Shaft Guard	1	28	8735-10	Rubber Mat (5 x 6)	2
2	8619	PTO Shaft Guard	1	29	7775-1	Hitch Pin, LH (Silver) #6	2
	8618	PTO Shaft Guard Assembly (Includes Items # 1, 2, F002 & F025)	*	30	8788-1	Rubber Mat (1 x 2)	1
3	5285-3	U-Joint Shaft, 90 Degree (14-7/8) (Includes Items # 21, F069 & F295)	1	31	5701-11	DML42A Deck Housing (Includes Items # 28 & 30)	1
4	7275-16	U-Joint Tube Assy, Spline	1	32	7775-2	Hitch Pin, RH (Gold) #6	2
5	5275-15	U-Joint Tube Assy (9.5" OAL), Spline (Includes Item # F076)	1	33	5727-1	Washer Shim (5/8 ID)	4
6	5704-55	42" Mulch Gearbox and Tube Assembly, Heavy Duty (Includes Items # 7-16, F136, F179 & F229)	1	Fasteners			
7	6054	Spline Coupling	4	F002	10-24 Keps Nut		6
8	P007	Gasket, Cap (Peerless #788030)	4	F004	1/4-20 Keps Nut		2
9	5063	Gearbox Connector Tube (8-5/8)	1	F013	3/8-16 Whiz Locknut		2
10	6732-3	Connecting Shaft (6-1/4)	1	F018	5/8-18 Hex Nut		2
11	5052-8	Heavy Duty Gearbox (LH Rotation)	1	F025	10-24 x 3/8 PPHMS		2
12	5704-1	Gearbox Cover Support	2	F029	1/4-20 x 1/2 Hex Bolt		2
13	5051-6	Heavy Duty Tee Gearbox, Shear	1	F038	3/8-16 x 1 Hex Bolt		4
14	6732-1	Connecting Shaft (2")	1	F050	1/4 SAE Washer		4
15	5062	Gearbox Connector Tube (4-3/8)	1	F055	5/8 SAE Washer		2
16	5053-8	Heavy Duty Gearbox (RH Rotation)	1	F056	5/8 Split Lock Washer		2
17	5052-3	1.375 x .750 x .187 Washer	4	F059	3/8 Wave Spring Washer		2
18	5747-11	Rubber Mat (3 x 6)	2	F069	3/32 x 1/2 Cotter Pin		1
19	5785-5	42" Gearbox Cover (Includes Item # 18)	1	F076	3/8-16 x 5/8 SQH Set Screw		*
20	5830	Grease Fitting	1	F136	AN960C416L Washer		16
21	8067-13	Shear Pin w/Cotter (Set of 5) (Includes Item # F069)	*	F179	1/4-20 x 1 Hex Bolt		4
Deck Housing Components				F202	10-24 x 5/8 SHC Screw, GR5 SS		4
22	8670	Tilt-Up Hook	1	F206	#2 x 3/16 Drive Pin		2
23	9772	Roller Wheel Assembly (2-1/2) (Includes Item # F059)	2	F211	1/4-20 x 7/8 Hex Bolt		12
24	8490	Roller Wheel Axle Bolt	2	F229	C-Clip (13/16)		4
25	NS	Deck Serial Number Plate	1	F246	1/4-20 x 1/2 PTHMS		2
26	5705-28	Blade 22" Mulch	2	F278	3/8 Split Lock Washer		4
	5705-19	DML42A Blade Set W/Hubs (Includes Items # 27, F002 & F202)	*	F295	3/16 x 1-1/2 Split Spring Pin		1
				F403	1/4-20 x 1/2 PTHMS, SS		2
				* Service Part Only			
				NOTE: Order Item # 4 to use the splined deck PTO shaft with Model MT, MD, MC and MW.			
				NOTE: Order Item # 5 to use the splined deck PTO shaft with Model MS and MB.			

DML42A DECK ASSEMBLY (P/N 5707-1)



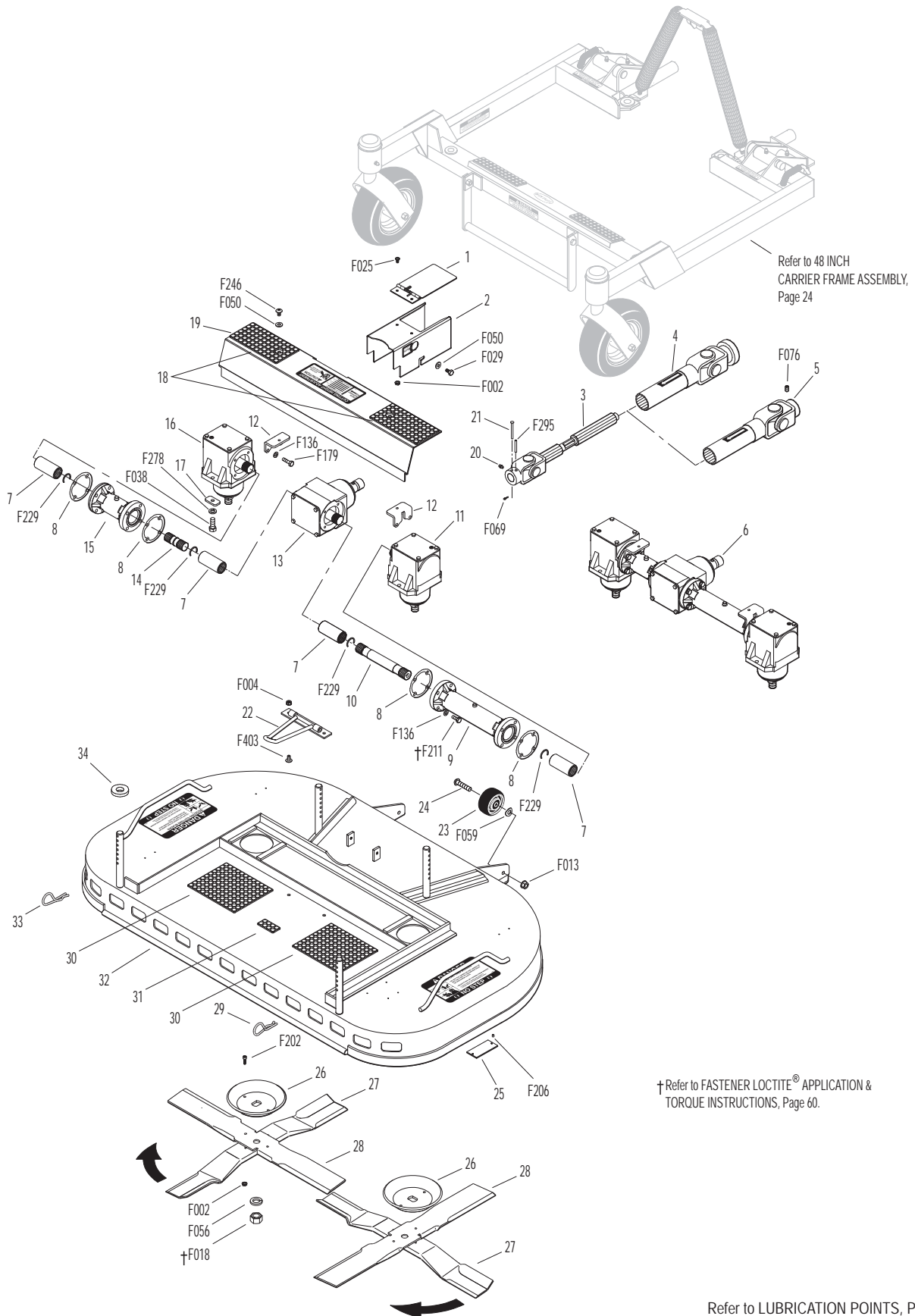
† Refer to FASTENER LOCTITE® APPLICATION & TORQUE INSTRUCTIONS, Page 60.

Refer to LUBRICATION POINTS, Page 58.

DML42B DECK ASSEMBLY (P/N 5707-2)

ITEM NO.	PART NO.	DESCRIPTION	NO. REQ'D	ITEM NO.	PART NO.	DESCRIPTION	NO. REQ'D	
Gearbox and Drive Components				28	5705-11	Blade, 22" (Upper Mulching)	2	
1	8618-1	Cover, PTO Shaft Guard	1		5705-12	42DML Blade Set W/Hubs (Includes Items # 26-28, F002 & F202)	*	
2	8619	PTO Shaft Guard	1	29	7775-1	Hitch Pin, LH (Silver) #6	2	
	8618	PTO Shaft Guard Assembly (Includes Items # 1, 2, F002 & F025)	*	30	8735-10	Rubber Mat (5 x 6)	2	
3	5285-3	U-Joint Shaft, 90 Degree (14-7/8) (Includes Items # 21, F069 & F295)	1	31	8788-1	Rubber Mat (1 x 2)	1	
4	7275-16	U-Joint Tube Assy, Spline	1	32	5701-11	DML42A Deck Housing (Includes Items # 30 & 31)	1	
5	5275-15	U-Joint Tube Assy (9.5" OAL), Spline (Includes Item # F076)	1	33	7775-2	Hitch Pin, RH (Gold) #6	2	
6	5704-54	42" Mulch Gearbox and Tube Assembly, Heavy Duty (Includes Items # 7-16, F136, F179, F211 & F229)	1	34	5727-1	Washer Shim (5/8 ID)	4	
7	6054	Spline Coupling	4	Fasteners				
8	P007	Gasket, Cap (Peerless #788030)	4		F002	10-24 Keps Nut	6	
9	5063	Gearbox Connector Tube (8-5/8)	1		F004	1/4-20 Keps Nut	2	
10	6732-3	Connecting Shaft (6-1/4)	1		F013	3/8-16 Whiz Locknut	2	
11	5052-5	Heavy Duty Gearbox (LH Rotation)	1		F018	5/8-18 Hex Nut	2	
12	5704-1	Gearbox Cover Support	2		F025	10-24 x 3/8 PPHMS	2	
13	5051-6	Tee Gearbox, Shear	1		F029	1/4-20 x 1/2 Hex Bolt	2	
14	6732-1	Connecting Shaft (2")	1		F038	3/8-16 x 1 Hex Bolt	4	
15	5062	Gearbox Connector Tube (4-3/8)	1		F050	1/4 SAE Washer	4	
16	5053-5	Heavy Duty Gearbox (RH Rotation)	1		F056	5/8 Split Lock Washer	2	
17	5052-3	1.375 x .750 x .187 Washer	4		F059	3/8 Wave Spring Washer	2	
18	5747-11	Rubber Mat (3 x 6)	2		F069	3/32 x 1/2 Cotter Pin	1	
19	5785-5	42" Gearbox Cover (Includes Item # 18)	1		F076	3/8-16 x 5/8 SQH Set Screw	*	
20	5830	Grease Fitting	1		F136	AN960C416L Washer	16	
21	8067-13	Shear Pin w/Cotter (Set of 5) (Includes Item # F069)	*		F179	1/4-20 x 1 Hex Bolt	4	
Deck Housing Components						F202	10-24 x 5/8 SHC Screw, GR5 SS	4
22	8670	Tilt-Up Hook	1		F206	#2 x 3/16 Drive Pin	2	
23	9772	Roller Wheel Assembly (2-1/2) (Includes Item # F059)	2		F211	1/4-20 x 7/8 Hex Bolt	12	
24	8490	Roller Wheel Axle Bolt	2		F229	C-Clip (13/16)	4	
25	NS	Deck Serial Number Plate	1		F246	1/4-20 x 1/2 PTHMS	2	
26	5706	Blade Hub & Trash Guard	2		F278	3/8 Split Lock Washer	4	
27	5705-10	Blade, 21" (Lower Mulching)	2		F295	3/16 x 1-1/2 Split Spring Pin	1	
					F403	1/4-20 x 1/2 PTHMS, SS	2	
				* Service Part Only				
				NOTE: Order Item # 4 to use the splined deck PTO shaft with Model MT, MD, MC and MW.				
				NOTE: Order Item # 5 to use the splined deck PTO shaft with Model MS and MB.				

DML42B DECK ASSEMBLY (P/N 5707-2)



Refer to LUBRICATION POINTS, Page 58.

Effective Date 08-01-08

Use only genuine Walker® replacement parts.

48 INCH COMPLETE CARRIER FRAME ASSEMBLY (P/N 7700-2)

ITEM NO.	PART NO.	DESCRIPTION	NO. REQ'D
----------	----------	-------------	-----------

Spring and Pivot Mount Components

1	5975-3	Cable Tie (50# x 7")	4
2	5744-1	Spring Clip Bracket	1
3	5743-1	Spring Cover	2
4	5743-3	Eyebolt (3/8-16 x 2)	2
5	5830-3	Grease Fitting (45 Degree)	4
6	8667-10	Pivot Mount, LH/Adj.	1
7	8667-20	Pivot Mount, RH/Adj.	1
8	5743-6	Extension Spring (1-1/2 x 7-3/4) (Includes Items # 1, F117 & F166)	2

Carrier Frame Components

9	8674-11	Lever, Deck Lock, LH	1
10	7406-1	Handle Grip (Red)	2
11	8669	Lift Handle	1
12	5748-10	Rubber Mat (1-1/2 x 6)	2
13	5740-2	Deck Pin Bushing (5/8)	4
14	8661-2	48" Carrier Frame (Less Pivots) (Includes Item # 12)	1
	8661-1	48" Carrier Frame w/Forks (Less Pivots) (Includes Items # 12, 21-23, 25, F055, F068 & F098)	*
15	8674-10	Lever, Deck Lock, RH	1
16	5830	Grease Fitting	6

Caster Wheel Components

17	5714-7	Bearing Cap	4
18	5714-5	Bearing, Caster Wheel	2
19	5715-4	Caster Wheel, Pneumatic (8 x 3.00-4) (Includes Items # 5, 17 & 18)	2
	5715-10	Tire, Pneumatic (8 x 3.00-4)	*
	5715-9	Tire Tube, Pneumatic (2.80/2.50-4)	*
	5715-3	Caster Wheel & Tire/No-Flat (8 x 3.00-4)	**
	5715-11	Tire, Caster Wheel/No-Flat (8 x 3.00-4)	**
20	5714-3	Axle Spacer Tube	2
21	5770-1	Caster Wheel Fork	2
22	8768-1	Seal (1-3/4 x 1-1/8)	2
23	8037	Bearing Cone (3/4 ID)	4
24	8769-1	Bearing Cup (1-3/4 x 1-7/16)	4
25	8769-9	Dust Cap, Deck Caster	2

ITEM NO.	PART NO.	DESCRIPTION	NO. REQ'D
----------	----------	-------------	-----------

Fasteners

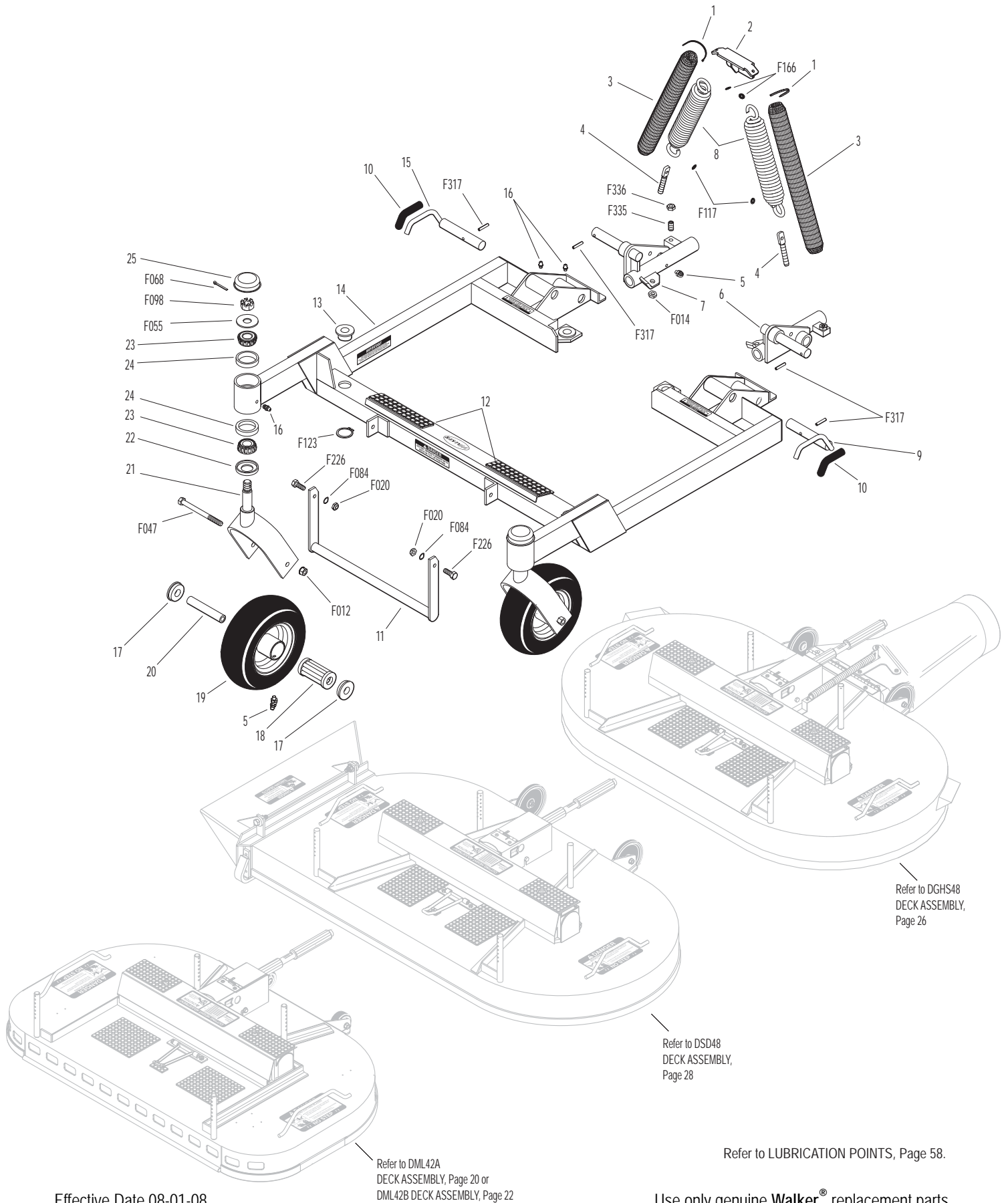
F012	3/8-16 Keps Nut	2
F014	3/8-16 ESNA Nut	2
F020	5/16-18 ESNA Nut	2
F047	3/8-16 x 4-1/2 Hex Bolt	2
F055	5/8 SAE Washer	2
F068	1/8 x 1 Cotter Pin	2
F084	5/16 Wave Spring Washer	2
F098	5/8-18 Slotted Hex Nut	2
F117	Retainer Ring	2
F123	1" External Snap Ring	4
F166	Retainer Ring	4
F226	5/16-18 x 7/8 Hex Bolt	2
F317	3/16 x 1 Split Spring Pin	4
F335	3/8-16 x 7/8 Set Screw, SS	2
F336	3/8-16 Jam Nut	2

* Service Part Only

** May be ordered as a factory-installed option or as a kit for dealer installation. Contact your Walker dealer.

NOTE: The 48 Inch Carrier Frame is also used on the DML42A Mulching Deck (5707-1) and DML42B Mulching Deck (5707-2).

48 INCH COMPLETE CARRIER FRAME ASSEMBLY (P/N 7700-2)



Effective Date 08-01-08

DGHS48 DECK ASSEMBLY (P/N 7702-1)

INCL. OPTIONAL HEAVY DUTY GEARBOXES

ITEM NO.	PART NO.	DESCRIPTION	NO. REQ'D	ITEM NO.	PART NO.	DESCRIPTION	NO. REQ'D
Gearbox and Drive Components				31	5706	Blade Hub & Trash Guard	2
1	8618-1	Cover, PTO Shaft Guard	1	32	7705-2	Blade, 25" (LH Rotation)	1
2	8619	PTO Shaft Guard	1		7705-3	48 GHS Blade Set with Hubs (Includes Items # 30-32, F002 & F202)	*
	8618	PTO Shaft Guard Assembly (Includes Items # 1, 2, F002 & F025)	*	33	7775-1	Hitch Pin, LH (Silver) #6	2
3	7285-15	U-Joint Shaft Assy, 90 Degree, Spline (Includes Items # 25, F069 & F295)	1	34	8735-10	Rubber Mat (5 x 6)	2
4	7275-16	U-Joint Tube Assy, Spline	1	35	8788-1	Rubber Mat (1 x 2)	1
5	7794	48 GHS Discharge Chute W/O Spring (Includes Items # 5, 9, 10, F223 & F224)	1	36	7701	48 GHS Deck Housing (Includes Items # 34 & 35)	1
	7794-1	Discharge Chute Assembly with Spring Mount (Includes Items # 5, 7, 9, 10, F223 & F224)	*	37	7775-2	Hitch Pin, RH (Gold) #6	2
6	5704-58	Gearbox and Tube Assembly (Includes Items # 11-20, F124, F136, F179, F211 & F229)	1	38	5727-1	Washer Shim (5/8 ID)	4
	5704-9	Heavy Duty Gearbox and Tube Assembly (Includes Items # 11-14, 16-20, F136, F179, F211 & F229)	**	Fasteners			
7	8678	Spring Mount, Chute	1		F002	10-24 Keps Nut	9
8	8677	Extension Spring (1 x 6-1/16)	1		F004	1/4-20 Keps Nut	2
9	7726	Chute Hinge (2 x 11)	1		F005	1/4-20 ESNA Nut	2
10	7755	Chute Lower Lip	1		F013	3/8-16 Whiz Locknut	6
11	6054	Spline Coupling	4		F018	5/8-18 Hex Nut	2
12	P007	Gasket, Cap (Peerless #788030)	4		F025	10-24 x 3/8 PPHMS	2
13	5066	Gearbox Connector Tube (9-5/16)	1		F029	1/4-20 x 1/2 Hex Bolt	2
14	6732-6	Connecting Shaft (7")	1		F036	1/4-20 x 1/2 SBH Screw	2
15	5706-4	Seal Protector Plate	2		F038	3/8-16 x 1 Hex Bolt	4***
16	5052-1	Gearbox (LH Rotation)	2		F039	3/8-16 x 1-1/4 Hex Bolt	4
	5052-5	Heavy Duty Gearbox (LH Rotation)	**		F050	1/4 SAE Washer	4
17	5704-1	Gearbox Cover Support	2		F055	5/8 SAE Washer	2
18	7751-16	Tee Gearbox (1.2:1 Ratio)	1		F056	5/8 Split Lock Washer	2
	7751-5	Heavy Duty Tee Gearbox (1.2:1 Ratio)	**		F059	3/8 Wave Spring Washer	2
19	6732-2	Connecting Shaft (4-1/8)	1		F069	3/32 x 1/2 Cotter Pin	1
20	5061	Gearbox Connector Tube (6-11/16)	1		F087	#10 x 7/8 Fender Washer	2
21	5052-3	1.375 x .750 x .187 Washer	4		F124	10-32 x 3/8 Taptite Machine Screw	4
22	5747-12	Rubber Mat (3 x 6)	2		F129	10-24 x 1/2 PTHMS	3
23	7785-3	48" Gearbox Cover (Includes Item # 22)	1		F136	AN960C416L Washer	16
24	5830	Grease Fitting	1		F179	1/4-20 x 1 Hex Bolt	4
25	8067-10	Shear Pin w/Cotter (Set of 5) (Includes Item # F069)	*		F202	10-24 x 5/8 SHC Screw, GR5 SS	4
Deck Housing Components					F206	#2 x 3/16 Drive Pin	2
26	8670	Tilt-Up Hook	1		F211	1/4-20 x 7/8 Hex Bolt	12
27	5162-11	Roller Wheel (5" Poly) (Includes Item # F059)	2		F223	3/16 x 5/16 Semi-Tube Rivet	*
28	8490	Roller Wheel Axle Bolt	2		F224	3/16 x 7/16 Semi-Tube Rivet	*
29	NS	Deck Serial Number Plate	1		F229	C-Clip (13/16)	4
30	7705-1	Blade, 25" (RH Rotation)	1		F246	1/4-20 x 1/2 PTHMS	2
					F278	3/8 Split Lock Washer	4***
					F295	3/16 x 1-1/2 Split Spring Pin	1
					F403	1/4-20 x 1/2 PTHMS, SS	2

* Service Part Only

** Item(s) used on the Heavy Duty version of standard gearboxes. The Heavy Duty cast iron gearboxes are interchangeable with Standard aluminum gearboxes.

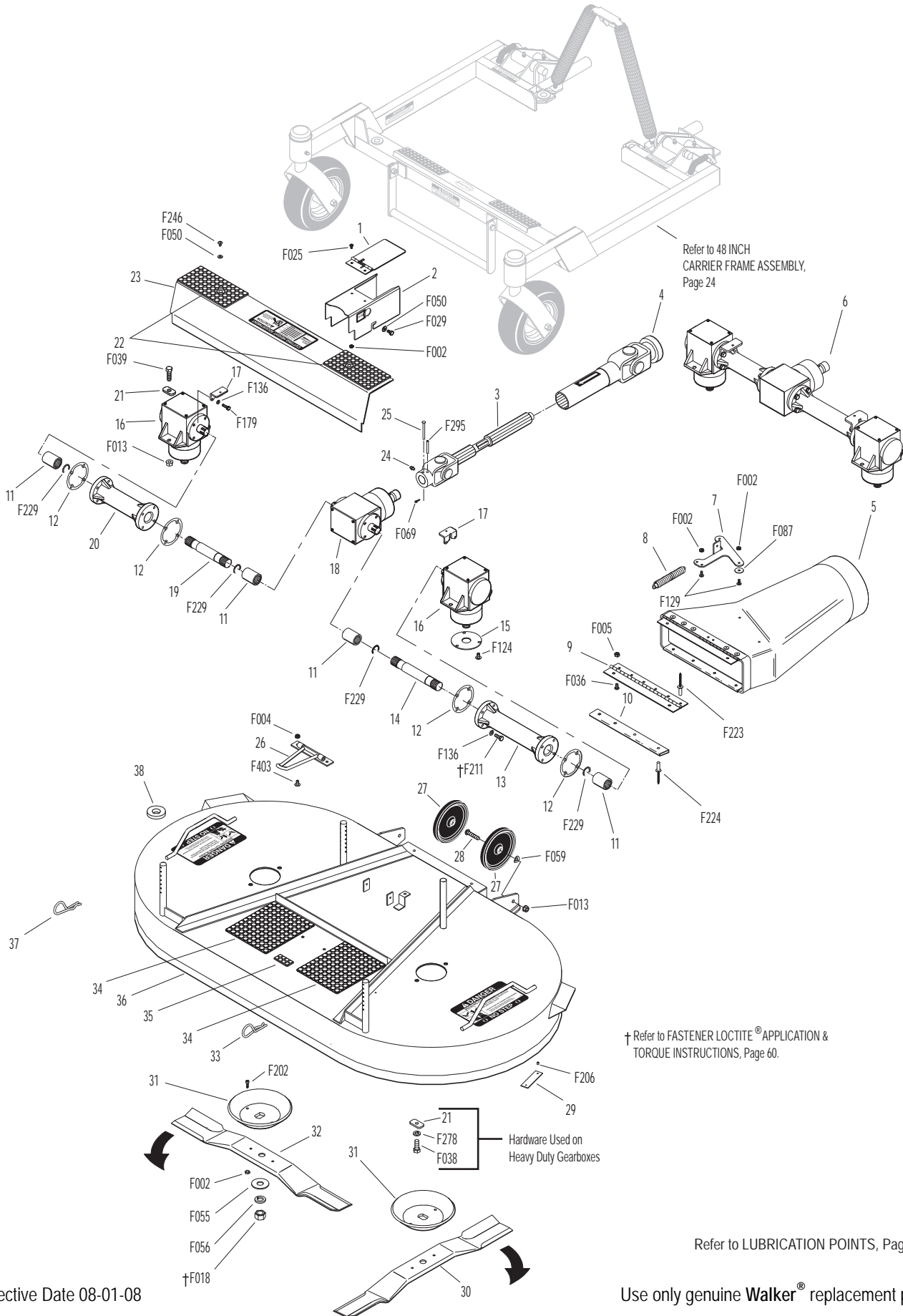
*** Used on Heavy Duty gearbox configuration.

Use only genuine Walker® replacement parts.

Effective Date 08-01-08

DGHS48 DECK ASSEMBLY (P/N 7702-1)

INCL. OPTIONAL HEAVY DUTY GEARBOXES



Refer to 48 INCH CARRIER FRAME ASSEMBLY, Page 24

† Refer to FASTENER LOCTITE® APPLICATION & TORQUE INSTRUCTIONS, Page 60.

Hardware Used on Heavy Duty Gearboxes

Refer to LUBRICATION POINTS, Page 58.

Use only genuine Walker® replacement parts.

Effective Date 08-01-08

DSD48 DECK ASSEMBLY (P/N 7701-17)

INCL. OPTIONAL HEAVY DUTY GEARBOXES

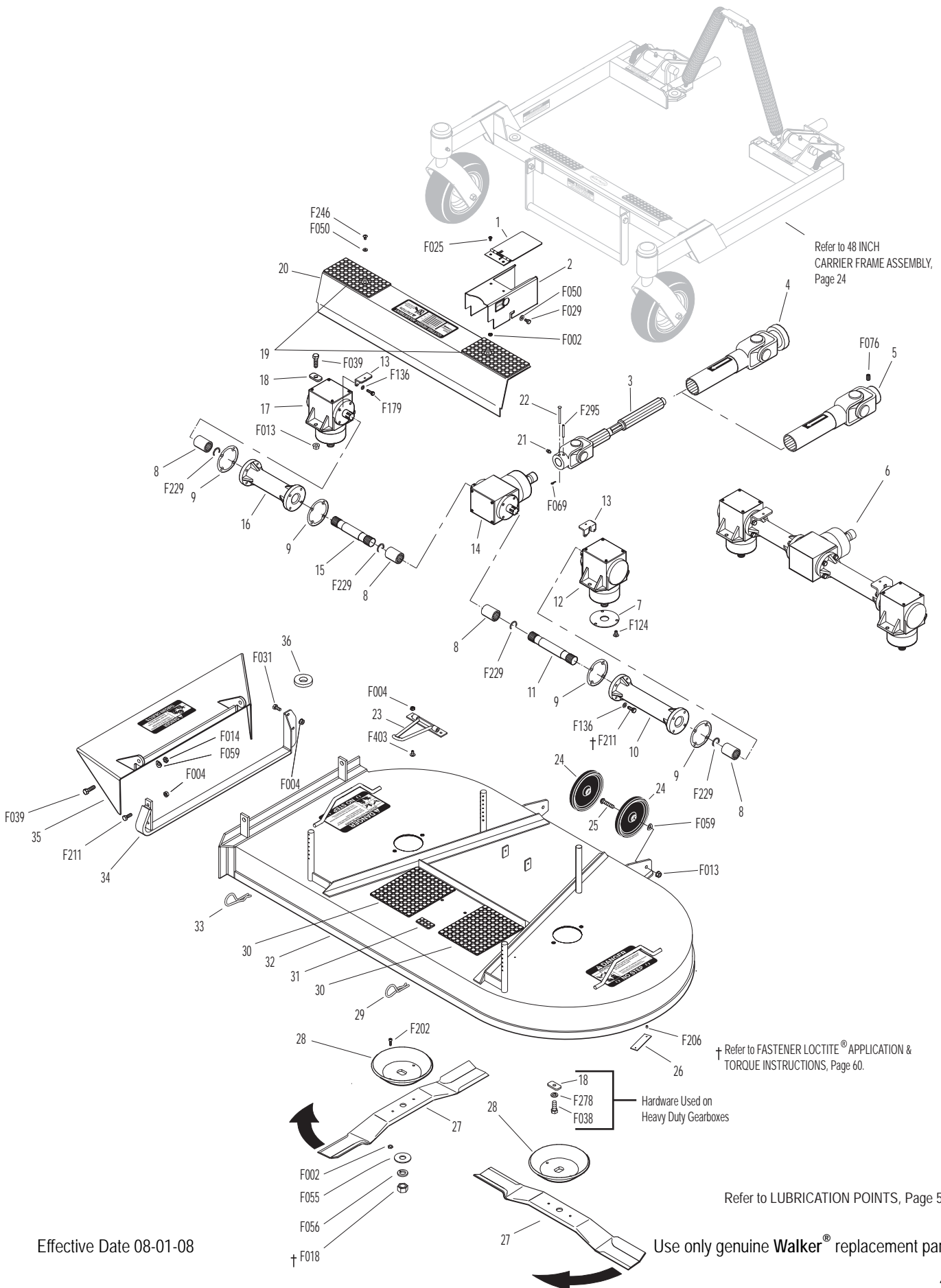
ITEM NO.	PART NO.	DESCRIPTION	NO. REQ'D	ITEM NO.	PART NO.	DESCRIPTION	NO. REQ'D
Gearbox and Drive Components				30	8735-10	Rubber Mat (5 x 6)	2
1	8618-1	Cover, PTO Shaft Guard	1	31	8788-1	Rubber Mat (1 x 2)	1
2	8619	PTO Shaft Guard	1	32	7701-18	48 SD Deck Housing (Includes Items # 30, 31 & 34)	1
	8618	PTO Shaft Guard Assembly (Includes Items # 1, 2, F002 & F025)	*	33	7775-2	Hitch Pin, RH (Gold) #6	2
3	7285-15	U-Joint Shaft Assy, 90 Degree, Spline (Includes Items # 22, F069 & F295)	1	34	7707-10	48 SD Skid Bar	1
4	7275-16	U-Joint Tube Assy, Spline	1	35	6709-5	48 SD Discharge Shield	1
5	5275-15	U-Joint Tube (9.5" OAL), Spline (Includes Item # F076)	1	36	5727-1	Washer Shim (5/8 ID)	4
6	5704-60	Gearbox and Tube Assembly (Includes Items # 7-17, F124, F136, F179, F211 & F229)	1	Fasteners			
	5704-61	Heavy Duty Gearbox and Tube Assembly (Includes Items # 8-17, F136, F179, F211 & F229)	**	F002	10-24 Keps Nut		6
7	5706-4	Seal Protector Plate	2	F004	1/4-20 Keps Nut		6
8	6054	Spline Coupling	4	F013	3/8-16 Whiz Locknut		6
9	P007	Gasket, Cap (Peerless #788030)	4	F014	3/8-16 ESNA Nut		2
10	5066	Gearbox Connector Tube (9-5/16)	1	F018	5/8-18 Hex Nut		2
11	6732-6	Connecting Shaft (7")	1	F025	10-24 x 3/8 PPHMS		2
12	5052-1	Gearbox (LH Rotation)	1	F029	1/4-20 x 1/2 Hex Bolt		2
	5052-5	Heavy Duty Gearbox (LH Rotation)	**	F031	1/4-20 x 5/8 Hex Bolt		2
13	5704-1	Gearbox Cover Support	2	F038	3/8-16 x 1 Hex Bolt		4***
14	5051-16	Tee Gearbox, Shear	1	F039	3/8-16 x 1-1/4 Hex Bolt		6
	5051-6	Heavy Duty Tee Gearbox, Shear	**	F050	1/4 SAE Washer		4
15	6732-2	Connecting Shaft (4-1/8)	1	F055	5/8 SAE Washer		2
16	5061	Gearbox Connector Tube (6-11/16)	1	F056	5/8 Split Lock Washer		2
17	5053-1	Gearbox (RH Rotation)	1	F059	3/8 Wave Spring Washer		4
	5053-5	Heavy Duty Gearbox (RH Rotation)	**	F069	3/32 x 1/2 Cotter Pin		1
18	5052-3	1.375 x .750 x .187 Washer	4	F076	3/8-16 x 5/8 SQH Set Screw		1
19	5747-12	Rubber Mat (3 x 6)	2	F124	10-32 x 3/8 Taptite Machine Screw		6
20	7785-3	48" Gearbox Cover (Includes Item # 19)	1	F136	AN960C416L Washer		16
21	5830	Grease Fitting	1	F179	1/4-20 x 1 Hex Bolt		4
22	8067-13	Shear Pin w/Cotter (Set of 5) (Includes Item # F069)	*	F202	10-24 x 5/8 SHC Screw, GR5 SS		4
				F206	#2 x 3/16 Drive Pin		2
				F211	1/4-20 x 7/8 Hex Bolt		14
				F229	C-Clip (13/16)		4
				F246	1/4-20 x 1/2 PTHMS		2
				F278	3/8 Split Lock Washer		4***
				F295	3/16 x 1-1/2 Split Spring Pin		1
				F403	1/4-20 x 1/2 PTHMS, SS		2
Deck Housing Components				* Service Part Only			
23	8670	Tilt-Up Hook	1	** Item(s) used on the Heavy Duty version of standard gearboxes. The Heavy Duty cast iron gearboxes are interchangeable with Standard aluminum gearboxes.			
24	5162-11	Roller Wheel (5" Poly) (Includes Item # F059)	2	*** Used on Heavy Duty gearbox configuration.			
25	8490	Roller Wheel Axle Bolt	2	NOTE: Order Item # 4 to use the splined deck PTO shaft with Model MT, MD, MC and MW.			
26	NS	Deck Serial Number Plate	1	NOTE: Order Item # 5 to use the splined deck PTO shaft with Model MB.			
27	7705-1	Blade, 25" (RH Rotation)	2				
	7705-5	48 SD Blade Set with Hubs (Includes Items # 27, 28, F002 & F202)	*				
28	5706	Blade Hub & Trash Guard	2				
29	7775-1	Hitch Pin, LH (Silver) #6	2				

Use only genuine Walker® replacement parts.

Effective Date 08-01-08

DSD48 DECK ASSEMBLY (P/N 7701-17)

INCL. OPTIONAL HEAVY DUTY GEARBOXES



Effective Date 08-01-08

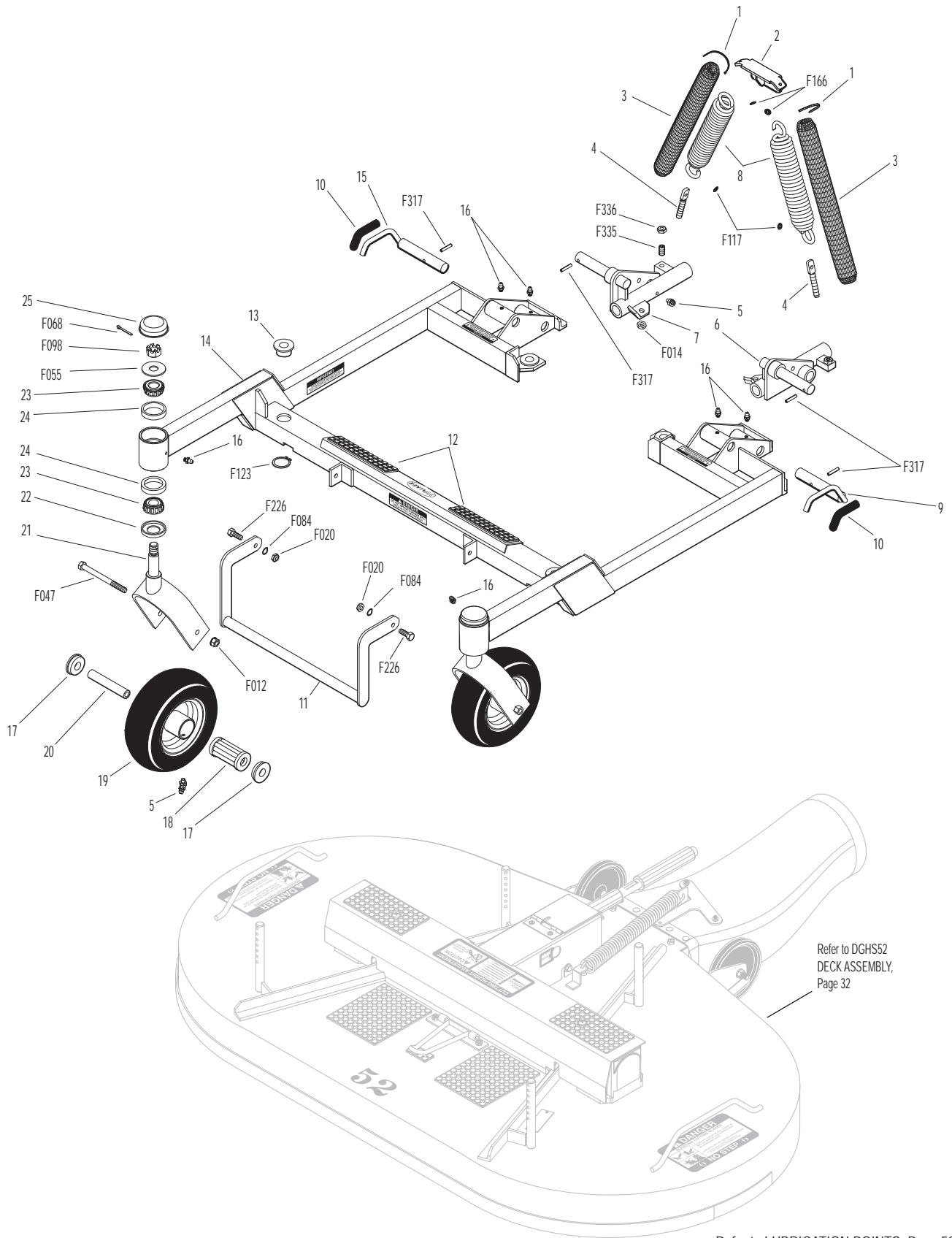
52 INCH COMPLETE CARRIER FRAME ASSEMBLY (P/N 8811-1)

ITEM NO.	PART NO.	DESCRIPTION	NO. REQ'D	ITEM NO.	PART NO.	DESCRIPTION	NO. REQ'D
Spring and Pivot Mount Components				Fasteners			
1	5975-3	Cable Tie (50# x 7")	4	F012		3/8-16 Keps Nut	2
2	5744-1	Spring Clip Bracket	1	F014		3/8-16 ESNA Nut	2
3	5743-1	Spring Cover	2	F020		5/16-18 ESNA Nut	2
4	5743-3	Eyebolt (3/8-16 x 2)	2	F047		3/8-16 x 4-1/2 Hex Bolt	2
5	5830-3	Grease Fitting (45 Degree)	4	F055		5/8 SAE Washer	2
6	8667-10	Pivot Mount, LH/Adj.	1	F068		1/8 x 1 Cotter Pin	2
7	8667-20	Pivot Mount, RH/Adj.	1	F084		5/16 Wave Spring Washer	2
8	5743-6	Extension Spring (1-1/2 x 7-3/4) (Includes Items # 1, F117 & F166)	2	F098		5/8-18 Slotted Hex Nut	2
Carrier Frame Components				F117		Retainer Ring	2
9	8674-11	Lever, Deck Lock, LH	1	F123		1" External Snap Ring	4
10	7406-1	Handle Grip (Red)	2	F166		Retainer Ring	4
11	8669-4	52GHS Lift Handle	1	F226		5/16-18 x 7/8 Hex Bolt	2
12	5748-10	Rubber Mat (1-1/2 x 6)	2	F317		3/16 x 1 Split Spring Pin	4
13	5740-2	Deck Pin Bushing (5/8)	4	F335		3/8-16 x 7/8 Set Screw, SS	2
14	8811-3	52GHS Carrier Frame (Includes Item # 12)	1	F336		3/8-16 Jam Nut	2
	8811-2	52GHS Carrier Frame W/Pivots (Includes Items # 12, 21-25, F055, F068 & F098)	*	* Service Part Only			
15	8674-10	Lever, Deck Lock, RH	1	** May be ordered as a factory-installed option or as a kit for dealer installation. Contact your Walker dealer.			
16	5830	Grease Fitting	6				
Caster Wheel Components							
17	5714-7	Bearing Cap	4				
18	5714-5	Bearing, Caster Wheel	2				
19	5715-4	Caster Wheel, Pneumatic (8 x 3.00-4) (Includes Items # 5, 17 & 18)	2				
	5715-10	Tire, Pneumatic (8 x 3.00-4)	*				
	5715-9	Tire Tube, Pneumatic (2.80/2.50-4)	*				
	5715-3	Caster Wheel & Tire/No-Flat (8 x 3.00-4)	**				
	5715-11	Tire, Caster Wheel/No-Flat (8 x 3.00-4)	**				
20	5714-3	Axle Spacer Tube	2				
21	5770-1	Caster Wheel Fork	2				
22	8768-1	Seal (1-3/4 x 1-1/8)	2				
23	8037	Bearing Cone (3/4 ID)	4				
24	8769-1	Bearing Cup (1-3/4 x 1-7/16)	4				
25	8769-9	Dust Cap, Deck Caster	2				

Use only genuine Walker® replacement parts.

Effective Date 08-01-08

52 INCH COMPLETE CARRIER FRAME ASSEMBLY (P/N 8811-1)



Refer to LUBRICATION POINTS, Page 58.

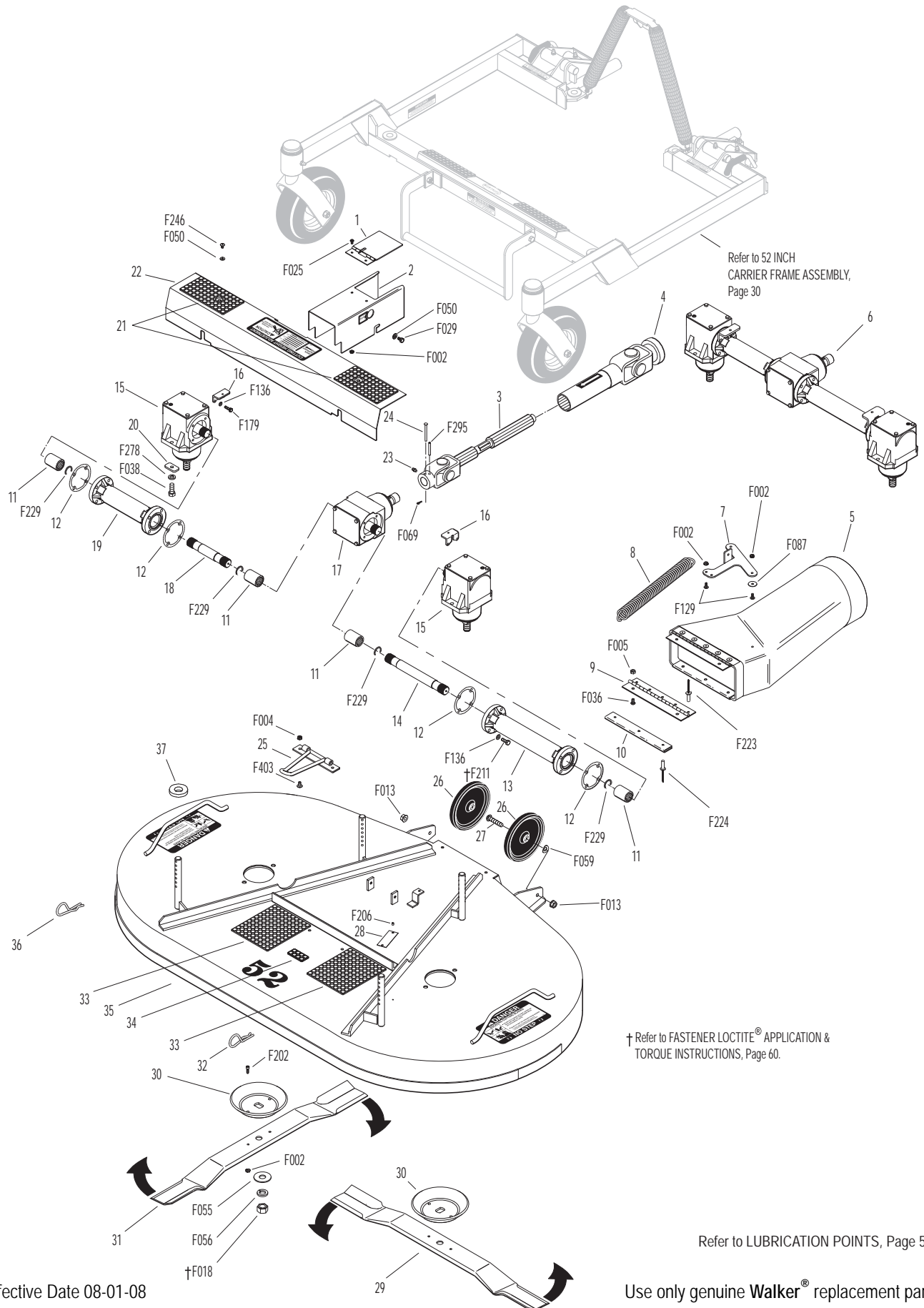
DGHS52 DECK ASSEMBLY (P/N 8810-1)

ITEM NO.	PART NO.	DESCRIPTION	NO. REQ'D	ITEM NO.	PART NO.	DESCRIPTION	NO. REQ'D
Gearbox and Drive Components				31	7705-6	Blade 27" (RH Rotation)	1
1	8618-1	Cover, PTO Shaft Guard	1		7705-9	48 GHS Blade Set W/Hub (Includes Items # 29-31, F002 & F202)	*
2	8619-3	PTO Shaft Guard, 52GHS	1	32	7775-1	Hitch Pin, LH (Silver) #6	2
	8618-4	PTO Shaft Guard Assy/52 (Includes Items # 1, 2, F002 & F025)	*	33	8735-10	Rubber Mat (5 x 6)	2
3	7285-15	U-Joint Shaft Assy, 90 Degree, Spline (Includes Items # 24, F069 & F295)	1	34	8788-1	Rubber Mat (1 x 2)	1
4	7275-16	U-Joint Tube Assy, Spline	1	35	8810-2	52 GHS Deck Housing (Includes Items # 33 & 34)	1
5	5794	Discharge Chute W/O Spring Mount (6-1/2 Dia.) (Includes Items # 5, 9, 10, F223 & F224)	1	36	7775-2	Hitch Pin, RH (Gold) #6	2
	5794-1	Discharge Chute W/Spring Mount (Includes Items # 5, 7, 9, 10, F223 & F224)	*	37	5727-1	Washer Shim (5/8 ID)	4
6	5704-56	52 GHS Gearbox and Tube Assy (Includes Items # 11-19 & F229)	1	Fasteners			
7	8678	Spring Mount, Chute	1	F002	10-24 Keps Nut		9
8	8677	Extension Spring (1 x 6-1/16)	1	F004	1/4-20 Keps Nut		2
9	5726	Chute Hinge (2 x 8)	1	F005	1/4-20 ESNA Nut		2
10	5755	Chute Lower Lip	1	F013	3/8-16 Whiz Locknut		2
11	6054	Spline Coupling	4	F018	5/8-18 Hex Nut		2
12	P007	Gasket, Cap (Peerless #788030)	4	F025	10-24 x 3/8 PPHMS		2
13	5068-3	Connector Tube (10-5/16)	1	F029	1/4-20 x 1/2 Hex Bolt		2
14	6732-10	Connecting Shaft (8-1/32)	1	F036	1/4-20 x 1/2 SBH Screw		2
15	5052-5	Gearbox, HD (LH Rotation)	2	F038	3/8-16 x 1 Hex Bolt		4
16	5704-1	Gearbox Cover Support	2	F050	1/4 SAE Washer		4
17	7751-8	Tee Gearbox/Shear (1.2:1)	1	F055	5/8 SAE Washer		2
18	6732-4	Connecting Shaft (5-5/16)	1	F056	5/8 Split Lock Washer		2
19	5065	Connector Tube (7-11/16)	1	F059	3/8 Wave Spring Washer		2
20	5052-3	1.375 x .750 x .187 Washer	4	F069	3/32 x 1/2 Cotter Pin		1
21	5747-12	Rubber Mat (3 x 6)	2	F087	#10 x 7/8 Fender Washer		2
22	6786-2	52 GHS Gearbox Cover (Includes Item # 21)	1	F129	10-24 x 1/2 PTHMS		3
23	5830	Grease Fitting	1	F136	AN960C416L Washer		16
24	8067-10	Shear Pin w/Cotter (Set of 5) (Includes Item # F069)	*	F179	1/4-20 x 1 Hex Bolt		4
Deck Housing Components				F202	10-24 x 5/8 SHC Screw, GR5 SS		4
25	8670-9	Tilt-Up Hook	1	F206	#2 x 3/16 Drive Pin		2
26	5162-11	Roller Wheel (5" Poly) (Includes Item # F059)	2	F211	1/4-20 x 7/8 Hex Bolt		12
27	8490	Roller Wheel Axle Bolt	2	F223	3/16 x 5/16 Semi-Tube Rivet		*
28	NS	Deck Serial Number Plate	1	F224	3/16 x 7/16 Semi-Tube Rivet		*
29	7705-7	Blade 27" (LH Rotation)	1	F229	C-Clip (13/16)		4
30	5706	Blade Hub & Trash Guard	2	F246	1/4-20 x 1/2 PTHMS		2
				F278	3/8 Split Lock Washer		4
				F295	3/16 x 1-1/2 Split Spring Pin		1
				F403	1/4-20 x 1/2 PTHMS, SS		2
				* Service Part Only			

Use only genuine Walker® replacement parts.

Effective Date 08-01-08

DGHS52 DECK ASSEMBLY (P/N 8810-1)



Effective Date 08-01-08

Use only genuine Walker® replacement parts.

52 INCH COMPLETE CARRIER FRAME ASSEMBLY (P/N 8811)

ITEM NO.	PART NO.	DESCRIPTION	NO. REQ'D
----------	----------	-------------	-----------

Spring and Pivot Mount Components

1	5975-3	Cable Tie (50# x 7")	4
2	5744-1	Spring Clip Bracket	1
3	5743-1	Spring Cover	2
4	5743-4	Eyebolt (3/8-16 x 2-3/4)	2
5	8667-10	Pivot Mount, LH/Adj.	1
6	5830-3	Grease Fitting (45 Degree)	4
7	8667-20	Pivot Mount, RH/Adj.	1
8	5743-6	Extension Spring (1-1/2 x 7-3/4) (Includes Items # 1, F117 & F166)	2

Carrier Frame Components

9	8674-11	Lever, Deck Lock, LH	1
10	7406-1	Handle Grip (Red)	2
11	8811-12	52 SD Carrier Frame	1
	8811-10	52 SD Carrier Frame, with Pivots (Includes Items # 9, 10, 15, F317, F335 & F336)	*
12	5850-5	Handle Grip (1 x 1 x 3-3/4)	1
13	8811-25	Tilt Bar, with Grip (35") (Includes Item # 12)	1
14	7775-5	Lock Pin (5/16)	1
15	8674-10	Lever, Deck Lock, RH	1
16	8740	Deck Pin Bushing (3/4 ID)	4
17	5830	Grease Fitting	6

ITEM NO.	PART NO.	DESCRIPTION	NO. REQ'D
----------	----------	-------------	-----------

Caster Wheel Components

18	8766	Axle Nut (3/4-16)	2
19	8768-2	Seal, Reverse Lip	4
20	8037	Bearing Cone (3/4 ID)	4
21	8037-2	Bearing Race	4
22	8768	Caster Wheel, Pneumatic (11 x 4.00-5) (Includes Items # 6 & 21)	2
	8768-3	Tire, Pneumatic (11 x 4.00-5)	*
	8768-5	Caster Wheel (5 x 3)	*
23	8767	Axle, Caster Wheel (5-1/8)	2
24	8765-10	Caster Wheel Fork	2
25	8769-7	Seal	2
26	8769-6	Bearing Cone (1" ID)	4
27	8769-5	Bearing Cup (2 x 1-5/8)	4
28	8769-8	Dust Cap, Deck Caster	2

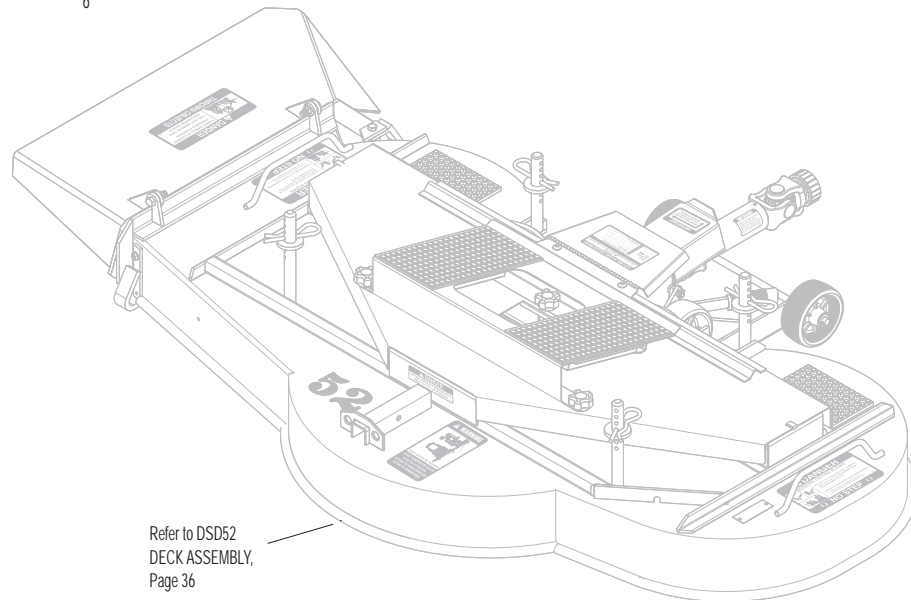
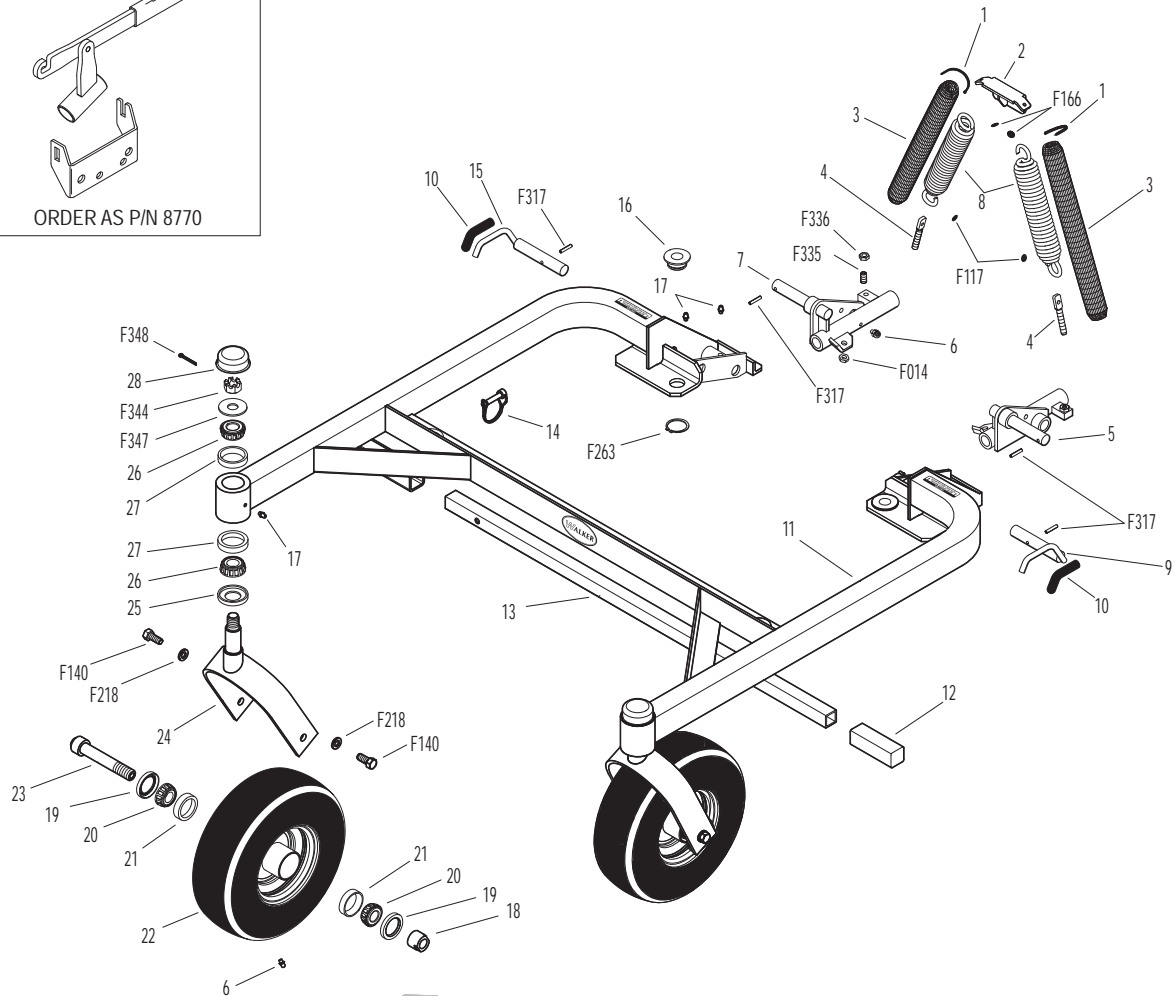
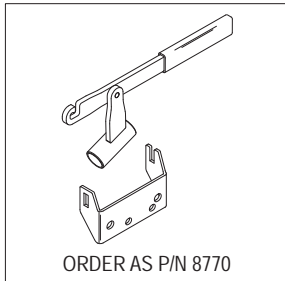
Fasteners

F014	3/8-16 ESNA Nut	2
F117	Retainer Ring	2
F140	7/16-14 x 1 Hex Bolt	4
F166	Retainer Ring	2
F218	7/16 Split Lock Washer	4
F263	1-1/4 External Snap Ring	4
F317	3/16 x 1 Split Spring Pin	4
F335	3/8-16 x 7/8 Set Screw, SS	2
F336	3/8-16 Jam Nut	2
F344	3/4-16 Slotted Hex Nut	2
F347	3/4 SAE Washer	2
F348	1/8 x 1-1/2 Cotter Pin	2

* Service Part Only

NOTE: The E-Z Pin Puller P/N 8770 can be ordered to assist removing and installing height adjustment hitch pins on larger decks. This item stows on tractor when not in use.

52 INCH COMPLETE CARRIER FRAME ASSEMBLY (P/N 8811)



Refer to DSD52
DECK ASSEMBLY,
Page 36

DSD52 DECK ASSEMBLY (P/N 8810)

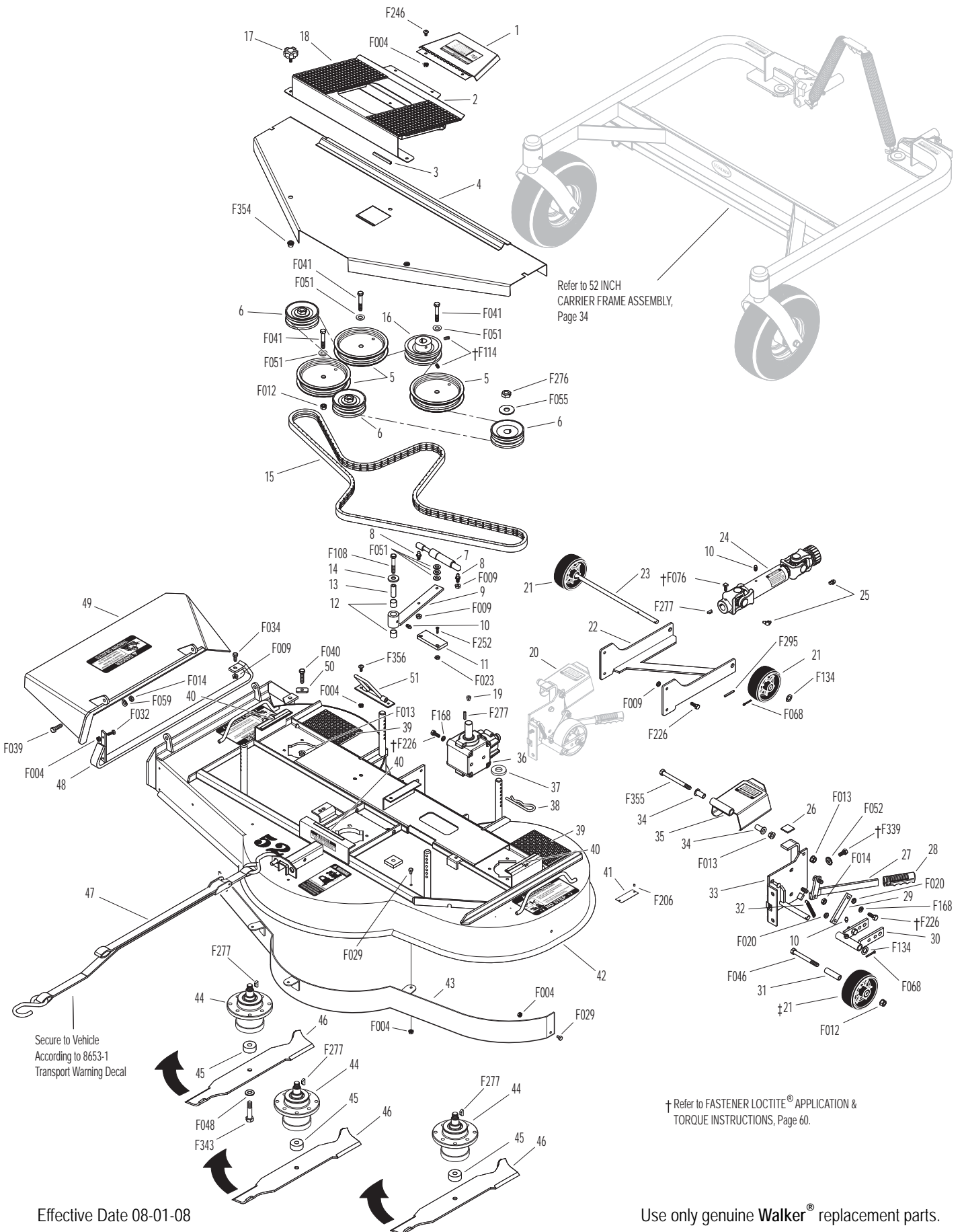
ITEM NO.	PART NO.	DESCRIPTION	NO. REQ'D	ITEM NO.	PART NO.	DESCRIPTION	NO. REQ'D	
Blade Drive Components				42	8810-10	52 SD Deck Housing (Includes Items # 39 & 40)	1	
1	8789-5	Pulley Guard	1	43	8692-10	Baffle, DSD52	1	
2	8786-15	Footrest Assembly (Includes Item # 18)	1	44	8052-2	Blade Spindle	3	
3	8754-3	Edge Molding	2	45	5705-25	Blade Spacer	3	
4	8754-10	52 SD Cover Plate (Includes Items # 3 & F354)	1	46	5705-14	Blade, 18-1/2 (RH Rotation)	3	
5	8245	Idler Pulley (6")	3		8738-7	52 SD Blade Set	*	
6	8755	Blade Drive Pulley (3-7/8)	3	47	8910-5	Tie-Down Strap (Used to secure deck in tilt-up position during transport)	2	
7	8762	Dampening Spring (Gas)	1	48	8707	52/62 SD Skid Bar	1	
8	5146	10mm Ball Stud	2	49	8709	52/62 SD Discharge Shield	1	
9	8373-3	Idler Arm (2-Hole)	1	50	5052-3	1.375 x .750 x .187 Washer	12	
10	5830	Grease Fitting	3	51	8670-10	Tilt-Up Hook	1	
11	8374-1	Idler Arm Guide	1	Fasteners				
12	7201-3	DU Bearing	2		F004	1/4-20 Keps Nut	11	
13	7201-4	Inner Race (1-1/2)	1		F009	5/16-18 Whiz Locknut	7	
14	5841	Retainer Washer (3/8 x 1-1/4)	1		F012	3/8-16 Keps Nut	3	
15	8736	Blade Drive Belt (R3VX1000-2)	1		F013	3/8-16 Whiz Locknut	14	
16	6240-2	Drive Pulley (4-1/2 / 3V) (Includes Items # F114 & F277)	1		F014	3/8-16 ESNA Nut	3	
17	8787	Deck Cover Knob	3		F020	5/16-18 ESNA Nut	2	
18	8786-10	Rubber Mat (6 x 10-1/2)	2		F023	10-24 ESNA Nut	2	
Gearbox and Dolly Wheel Components						F029	1/4-20 x 1/2 Hex Bolt	5
19	6206	Pressure Relief Valve	1		F032	1/4-20 x 3/4 Hex Bolt	2	
20	8745-25	Dolly Wheel/PTO Guard Assembly (Includes Items # 21, 26, 28, 31, 34, 35, F012, F013, F046, F052, F168, F226, F339 & F355)	*		F034	5/16-18 x 3/4 Hex Bolt	1	
21	6715	Roller Wheel (3-7/8)	3		F039	3/8-16 x 1-1/4 Hex Bolt	2	
22	8810-30	Tilt Dolly Mount Frame	1		F040	3/8-16 x 1-1/2 Hex Bolt	12	
23	8810-34	Axle, Dolly Mount	1		F041	3/8-16 x 1-3/4 Hex Bolt	3	
24	8285-20	U-Joint Shaft Assy, T-Scope (Includes Items # 25, F076 & F277)	1		F046	3/8-16 x 3-1/2 Hex Bolt	1	
25	5830-3	Grease Fitting (45 Degree)	2		F048	1/2 SAE Washer	3	
26	8788	Rubber Bumper (Self-Adhesive Mount)	1		F051	3/8 SAE Washer	6	
27	8745-14	Retract Lever	1		F052	5/16 External Star Lock Washer	2	
28	5850-1	Handle Grip	1		F055	5/8 SAE Washer	3	
29	8745-12	Actuator Link	1		F059	3/8 Wave Spring Washer	2	
30	8745-13	Dolly Wheel Mount (Includes Item # 10)	1		F068	1/8 x 1 Cotter Pin	3	
31	8745-15	Axle Spacer Tube	1		F076	3/8-16 x 5/8 SQH Set Screw	1	
32	5229	Extension Spring (1/2 x 2-1/4)	1		F108	3/8-16 x 2 Hex Bolt	1	
33	8745-20	Mount Bracket (Includes Items # 26, F052, F068 & F339)	1		F114	5/16-18 x 5/8 SQH Set Screw	2	
34	5103-4	Pivot Bushing (3/8 ID)	2		F134	AN960816L Washer	3	
35	8745-40	PTO Cover Plate	1		F168	5/16 Split Lock Washer	8	
36	8051-10	Right Angle Gearbox (Includes Item # 19)	1		F206	#2 x 3/16 Drive Pin	2	
Deck Housing Components						F226	5/16-18 x 7/8 Hex Bolt	12
37	8727	Washer Shim (13/16 x 1/4)	4		F246	1/4-20 x 1/2 PTHMS	2	
38	8775	Hitch Pin (#219)	4		F252	10-24 x 3/4 PFHMS	2	
39	8735-10	Rubber Mat (5 x 6)	2		F276	5/8-11 Jam Nut	3	
40	8790	Rubber Cushion Strip	3		F277	3/16 x 5/8 Woodruff Key (#605)	5	
41	NS	Deck Serial Number Plate	1		F295	3/16 x 1-1/2 Split Spring Pin	2	
					F339	5/16-18 x 3/4 Self-Tapping Bolt	2	
					F343	1/2-20 x 2 Hex Bolt	3	
					F354	5/16 Knurled Thread Insert	2	
					F355	3/8-16 x 4 Hex Bolt	1	
					F356	1/4-20 x 5/8 PTHMS, SS	2	

* Service Part Only

Use only genuine Walker® replacement parts.

Effective Date 08-01-08

DSD52 DECK ASSEMBLY (P/N 8810)



MULCHING KIT (FOR DSD52 DECK ASSEMBLY)

ITEM NO.	PART NO.	DESCRIPTION	NO. REQ'D
----------	----------	-------------	-----------

Kit 8691 Mulching Kit (For DSD52 Deck Assembly)
Includes Items # 1-7, fasteners listed and instructions. May be ordered as a factory-installed option or as a kit for dealer installation. Contact your Walker dealer. Refer also to **DSD52 DECK ASSEMBLY**, page 36.

1	8691-4	Baffle, RH	1
2	8691-3	Baffle, Center	1
3	8691-2	Baffle, LH	1
4	8052-9	Mulch Blade Spacer	3
5	5705-15	Blade, 18-3/8" Upper Mulch	3
	8738-8	52 SD Mulching Blade Set	*
6	8691-10	Blade Saddle	3
7	5705-14	Blade, 18-1/2 (RH Rotation)	3

ITEM NO.	PART NO.	DESCRIPTION	NO. REQ'D
----------	----------	-------------	-----------

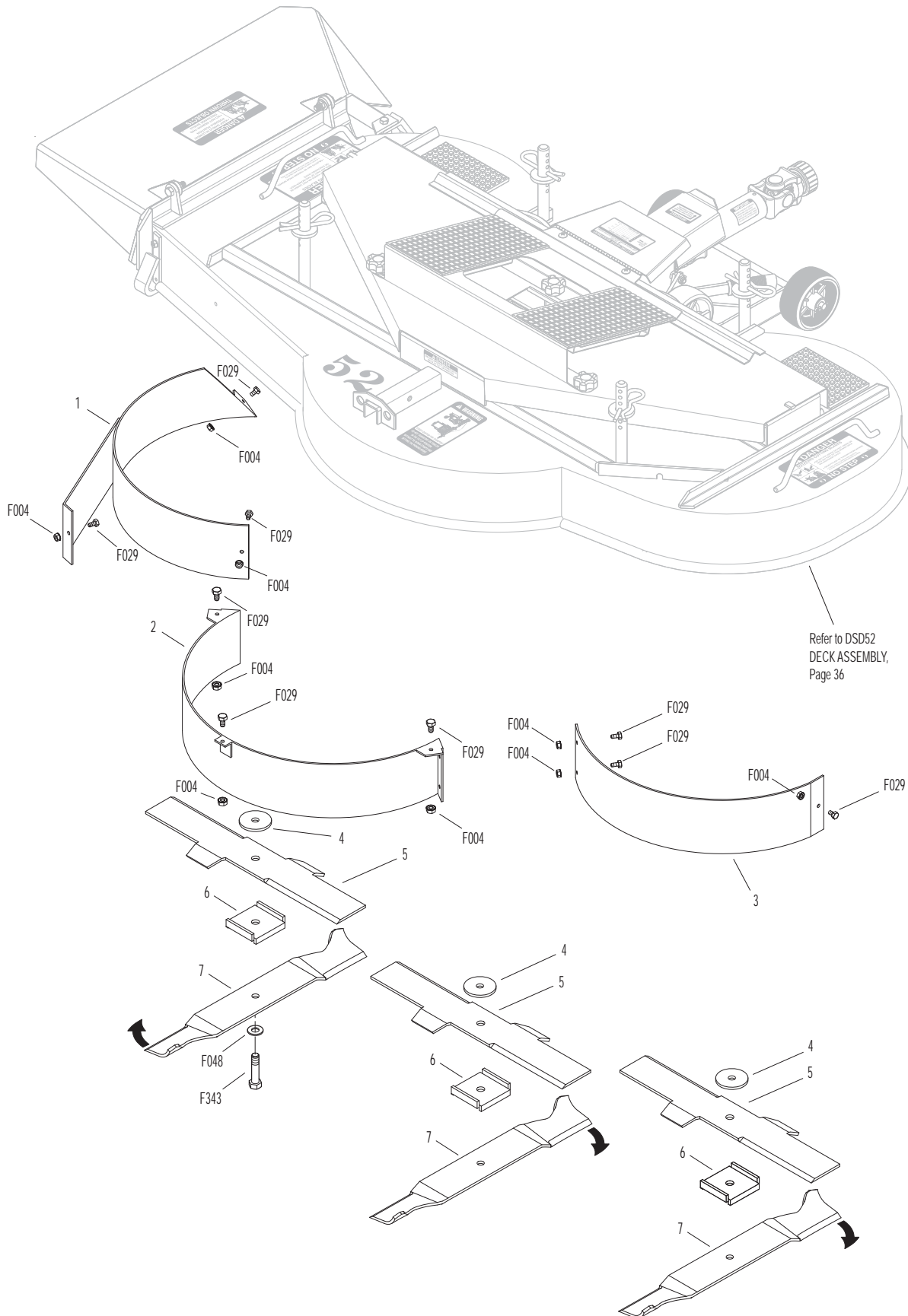
Fasteners

F004		1/4-20 Keps Nut	9
F029		1/4-20 x 1/2 Hex Bolt	9
F048		1/2 SAE Washer	3
F343		1/2-20 x 2 Hex Bolt	3

* Service Part Only. Includes 5705-15 Blades (3 Pieces).

NOTE: Reuse Item # 7 from **DSD52 DECK ASSEMBLY**. Refer to **DSD52 DECK ASSEMBLY**, page 36.

MULCHING KIT (FOR DSD52 DECK ASSEMBLY)



56 INCH COMPLETE CARRIER FRAME ASSEMBLY (P/N 6720)

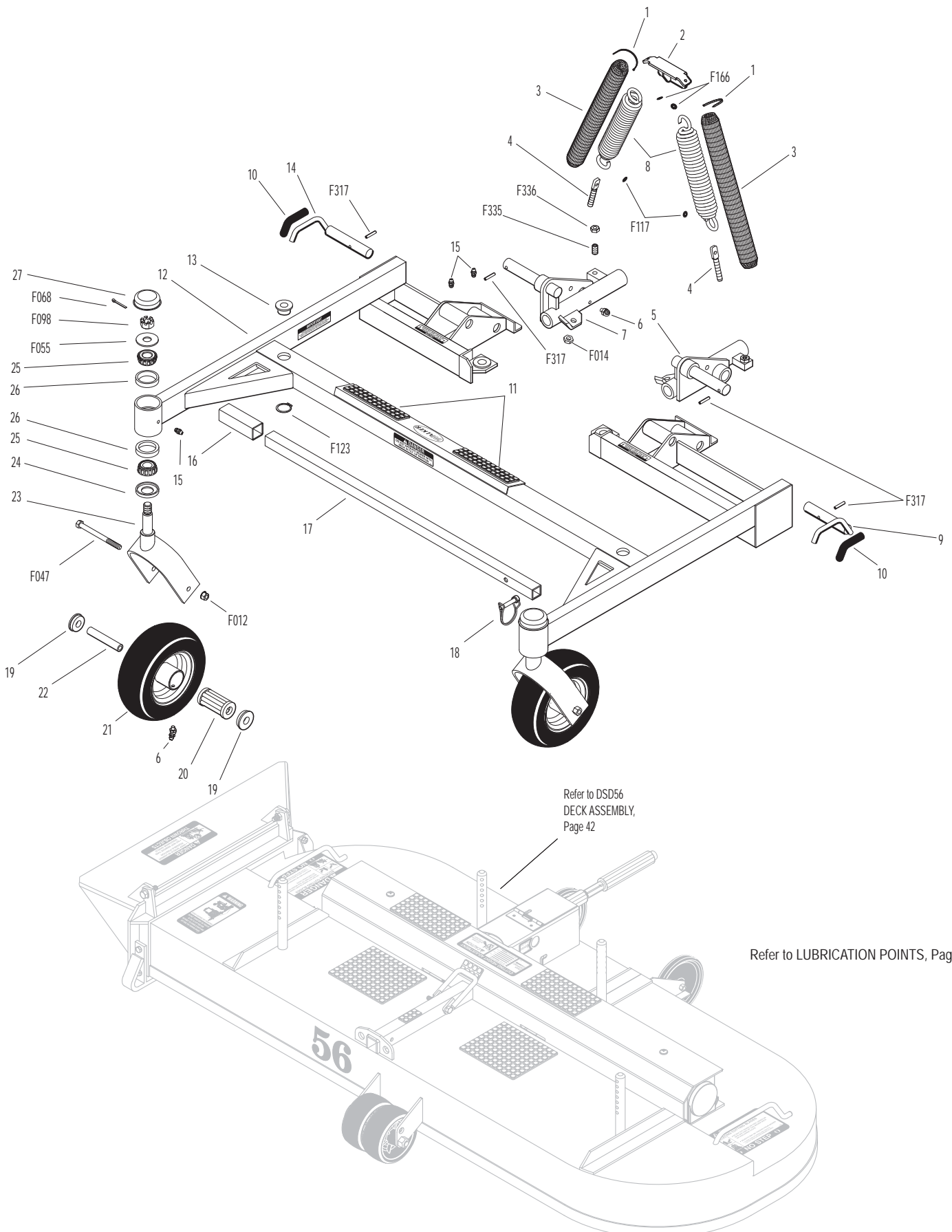
ITEM NO.	PART NO.	DESCRIPTION	NO. REQ'D	ITEM NO.	PART NO.	DESCRIPTION	NO. REQ'D
Spring and Pivot Mount Components				Caster Wheel Components			
1	5975-3	Cable Tie (50# x 7")	4	19	5714-7	Bearing Cap	4
2	5744-1	Spring Clip Bracket	1	20	5714-5	Bearing, Caster Wheel	2
3	5743-1	Spring Cover	2	21	5715-4	Caster Wheel, Pneumatic (8 x 3.00-4) (Includes Items # 6, 19 & 20)	2
4	5743-3	Eyebolt (3/8-16 x 2)	2		5715-10	Tire, Pneumatic (8 x 3.00-4)	*
5	8667-10	Pivot Mount, LH/Adj.	1		5715-9	Tire Tube, Pneumatic (2.80/2.50-4)	*
6	5830-3	Grease Fitting (45 Degree)	4		5715-3	Caster Wheel & Tire/No-Flat (8 x 3.00-4)	**
7	8667-20	Pivot Mount, RH/Adj.	1		5715-11	Tire, Caster Wheel/No-Flat (8 x 3.00-4)	**
8	5743-6	Extension Spring (1-1/2 x 7-3/4) (Includes Items # 1, F117 & F166)	2	22	5714-3	Axle Spacer Tube	2
Carrier Frame Components				23	5770-1	Caster Wheel Fork	2
9	8674-11	Lever, Deck Lock, LH	1	24	8768-1	Seal (1-3/4 x 1-1/8)	2
10	7406-1	Handle Grip, Red	2	25	8037	Bearing Cone (3/4 ID)	4
11	5748-10	Rubber Mat (1-1/2 x 6)	2	26	8769-1	Bearing Cup (1-3/4 x 1-7/16)	4
12	6720-1	56 SD Carrier Frame (Includes Item # 11)	1	27	8769-9	Dust Cap, Deck Caster	2
13	5740-2	Deck Pin Bushing (5/8)	4	Fasteners			
14	8674-10	Lever, Deck Lock, RH	1		F012	3/8-16 Keps Nut	2
15	5830	Grease Fitting	6		F014	3/8-16 ESNA Nut	2
16	5850-5	Handle Grip (1 x 1 x 3-3/4)	1		F047	3/8-16 x 4-1/2 Hex Bolt	2
17	6811-25	Tilt Bar With Grip (30") (Includes Item # 16)	1		F055	5/8 SAE Washer	2
18	7775-5	Lock Pin (5/16)	1		F068	1/8 x 1 Cotter Pin	2
					F098	5/8-18 Slotted Hex Nut	2
					F117	Retainer Ring	2
					F123	1" External Snap Ring	4
					F166	Retainer Ring	2
					F317	3/16 x 1 Split Spring Pin	4
					F335	3/8-16 x 7/8 Set Screw, SS	2
					F336	3/8-16 Jam Nut	2

* Service Part Only

** May be ordered as a factory-installed option or as a kit for dealer installation. Contact your Walker Dealer.

NOTE: When installing Item # 8 on decks prior to S/N DX-62875, the swivel hook end should be attached to the deck carrier frame.

56 INCH COMPLETE CARRIER FRAME ASSEMBLY (P/N 6720)



Refer to DSD56
DECK ASSEMBLY,
Page 42

Refer to LUBRICATION POINTS, Page 58.

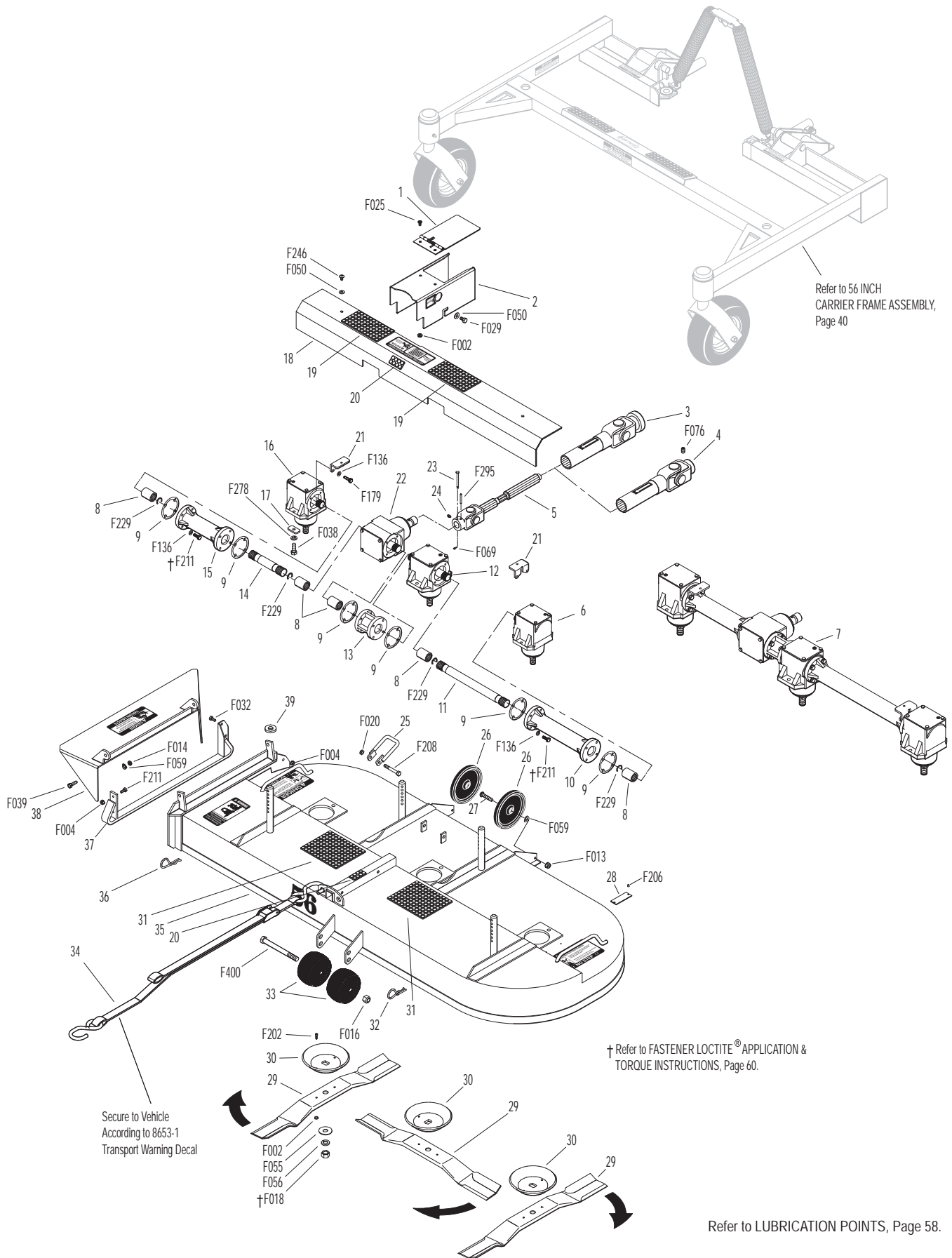
DSD56 DECK ASSEMBLY (P/N 6720-20)

ITEM NO.	PART NO.	DESCRIPTION	NO. REQ'D	ITEM NO.	PART NO.	DESCRIPTION	NO. REQ'D
Gearbox and Drive Components				34	8910-5	Tie Down Strap	2
1	8618-1	Cover, PTO Shaft Guard	1	35	6720-10	56 SD Deck Housing (Includes Items # 20 & 31)	1
2	8619-2	PTO Shaft Guard	1	36	7775-2	Hitch Pin, RH (Gold) #6	2
	8618-3	PTO Shaft Guard Assembly (Includes Items # 1, 2, F002 & F025)	*	37	6707-6	56 SD Skid Bar	1
3	7275-16	U-Joint Tube Assy, Spline	1	38	6705-8	56 SD Discharge Shield	1
4	5275-15	U-Joint Tube Assy (9.5" OAL), Spline (Includes Item # F076)	1	39	5727-1	Washer Shim (5/8 ID)	4
5	5285-3	U-Joint Shaft, 90 Degree (14-7/8) (Includes Items # 23, F069 & F295)	1	Fasteners			
6	5052-6	Heavy Duty Gearbox, LH (1:2.2 Ratio)	1	F002	10-24 Keps Nut		8
7	6701-51	56 SD Gearbox and Tube Assembly, Heavy Duty (Includes Items # 6, 8-16, 21, 22, F136, F179, F211 & F229)	1	F004	1/4-20 Keps Nut		4
8	6054	Spline Coupling	5	F013	3/8-16 Whiz Locknut		2
9	P007	Gasket, Cap (Peerless #788030)	6	F014	3/8-16 ESNA Nut		2
10	5069	Gearbox Connector Tube (14-1/2)	1	F016	1/2-13 Self-Locking Nut		1
11	6732-9	Connecting Shaft (12-1/8)	1	F018	5/8-18 Hex Nut		3
12	5058-6	Heavy Duty Tee Gearbox (1:1.2 Ratio)	1	F020	5/16-18 ESNA Nut		1
13	5060	Gearbox Connector Tube (2-5/16)	1	F025	10-24 x 3/8 PPHMS		2
14	6732-3	Connecting Shaft (6-1/4)	1	F029	1/4-20 x 1/2 Hex Bolt		2
15	5063	Gearbox Connector Tube (8-5/8)	1	F032	1/4-20 x 3/4 Hex Bolt		2
16	5053-6	Heavy Duty Gearbox, RH (1:1.2 Ratio)	1	F038	3/8-16 x 1 Hex Bolt		6
17	5052-3	1.375 x .750 x .187 Washer	6	F039	3/8-16 x 1-1/4 Hex Bolt		2
18	6786	56 SD Gearbox Cover (Includes Items # 19 & 20)	1	F050	1/4 SAE Washer		4
19	5747-10	Rubber Mat, No-Hole (3 x 6)	2	F055	5/8 SAE Washer		3
20	8788-1	Rubber Mat (1 x 2)	2	F056	5/8 Split Lock Washer		3
21	5704-1	Gearbox Cover Support	2	F059	3/8 Wave Spring Washer		4
22	5051-6	Heavy Duty Tee Gearbox, Shear	1	F069	3/32 x 1/2 Cotter Pin		1
23	8067-13	Shear Pin w/Cotter (Set of 5) (Includes Item # F069)	*	F076	3/8-16 x 5/8 SQH Set Screw		*
24	5830	Grease Fitting	1	F136	AN960C416L Washer		24
Deck Housing Components				F179	1/4-20 x 1 Hex Bolt		4
25	8670-8	Tilt-Up Hook	1	F202	10-24 x 5/8 SHC Screw, GR5 SS		6
26	5162-11	Roller Wheel (5" Poly) (Includes Item # F059)	2	F206	#2 x 3/16 Drive Pin		2
27	8490	Roller Wheel Axle Bolt	2	F208	5/16-18 x 2-1/4 Hex Bolt		1
28	NS	Deck Serial Number Plate	1	F211	1/4-20 x 7/8 Hex Bolt		22
29	5705-0	Blade, 20" (RH Rotation)	3	F229	C-Clip (13/16)		4
	5705-9	56 SD Blade Set with Hubs (Includes Items # 29, 30, F002 & F202)	*	F246	1/4-20 x 1/2 PTHMS		2
30	5706	Blade Hub & Trash Guard	3	F278	3/8 Split Lock Washer		6
31	8735-10	Rubber Mat (5 x 6)	2	F295	3/16 x 1-1/2 Split Spring Pin		1
32	7775-1	Hitch Pin, LH (Silver) #6	2	F400	1/2-13 x 5-1/2 Hex Bolt		1
33	6715	Roller Wheel (3-7/8)	2	* Service Part Only			
				NOTE: Order Item # 3 to use the splined deck PTO shaft with Model MT, MD, MC and MW.			
				NOTE: Order Item # 4 to use the splined deck PTO shaft with Model MB.			

Use only genuine Walker® replacement parts.

Effective Date 08-01-08

DSD56 DECK ASSEMBLY (P/N 6720-20)



Effective Date 08-01-08

Use only genuine Walker® replacement parts.

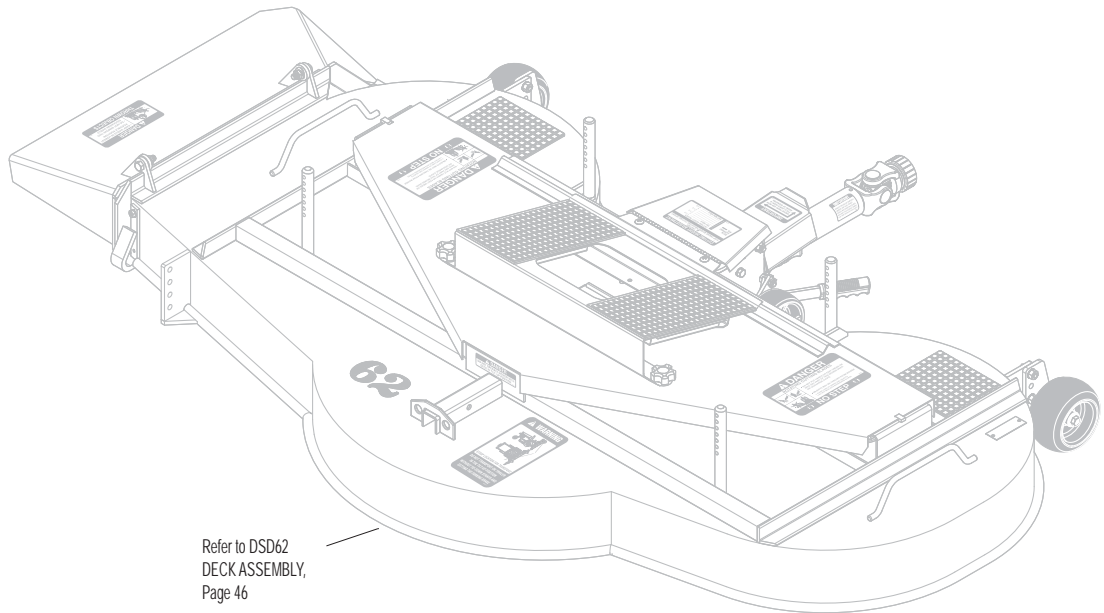
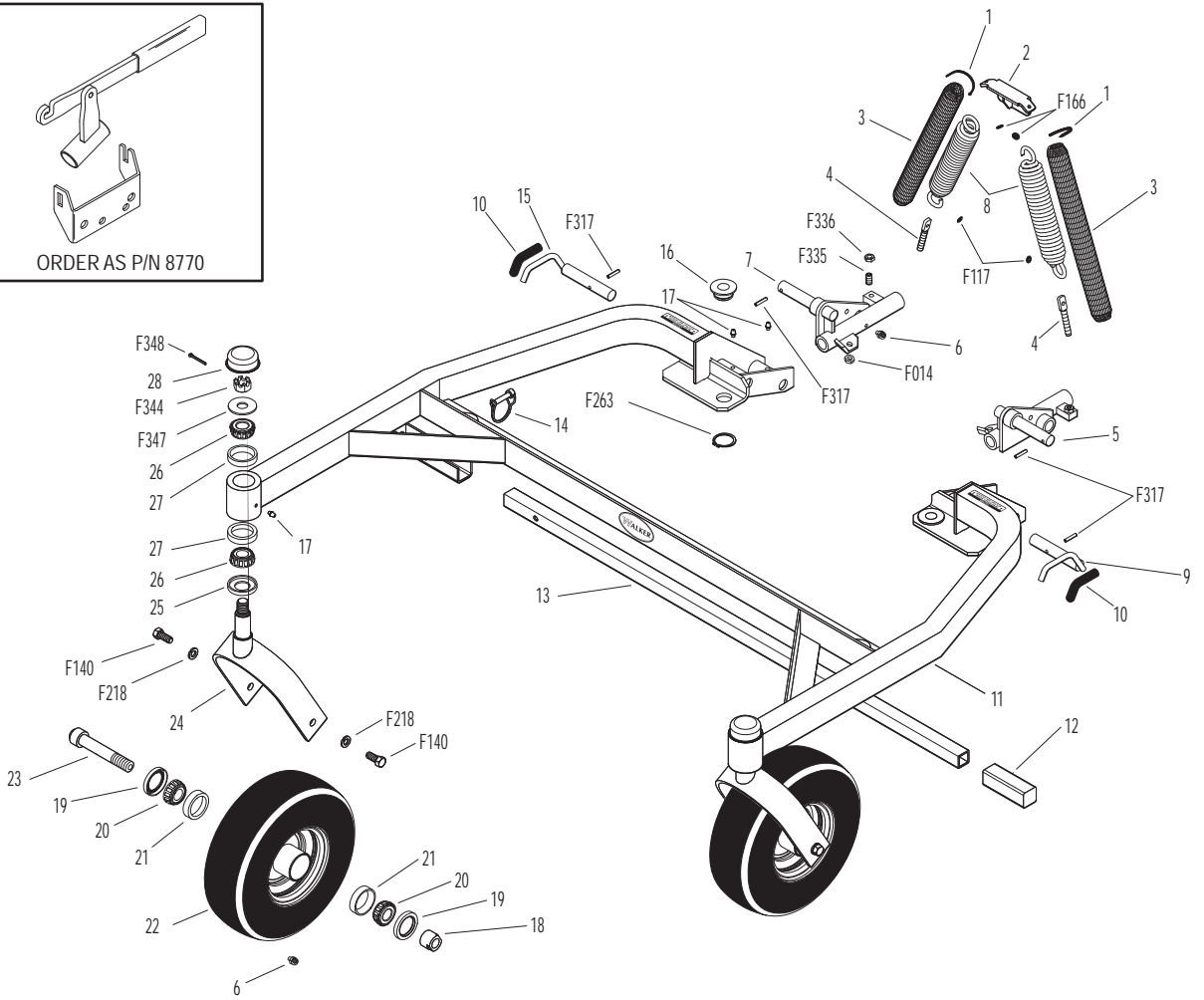
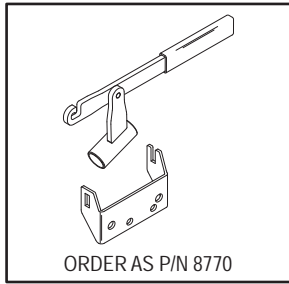
62 INCH COMPLETE CARRIER FRAME ASSEMBLY (P/N 8911)

ITEM NO.	PART NO.	DESCRIPTION	NO. REQ'D	ITEM NO.	PART NO.	DESCRIPTION	NO. REQ'D
Spring and Pivot Mount Components				Caster Wheel Components			
1	5975-3	Cable Tie (50# x 7")	4	18	8766	Axle Nut (3/4-16)	2
2	5744-1	Spring Clip Bracket	1	19	8768-2	Seal, Caster Wheel	4
3	5743-1	Spring Cover	2	20	8037	Bearing Cone (3/4 ID)	4
4	5743-4	Eyebolt (3/8-16 x 2-3/4)	2	21	8037-2	Bearing Race	4
5	8667-10	Pivot Mount, LH/Adj.	1	22	8768	Caster Wheel, Pneumatic (11 x 4.00-5) (Includes Items # 6 & 21)	2
6	5830-3	Grease Fitting (45 Degree)	4		8768-3	Tire, Pneumatic (11 x 4.00-5)	*
7	8667-20	Pivot Mount, RH/Adj.	1		8768-5	Caster Wheel (5 x 3)	*
8	5743-6	Extension Spring (1-1/2 x 7-3/4) (Includes Items # 1, F117 & F166)	2	23	8767	Axle, Caster Wheel (5-1/8)	2
Carrier Frame Components				24	8765-10	Caster Wheel Fork	2
9	8674-11	Lever, Deck Lock, LH	1	25	8769-7	Seal	2
10	7406-1	Handle Grip (Red)	2	26	8769-6	Bearing Cone (1" ID)	4
11	8911-12	62 SD Carrier Frame	1	27	8769-5	Bearing Cup, (2 x 1-5/8)	4
	8911-10	62 SD Carrier Frame, with Pivots (Includes Items # 5, 7, 9, 10, 15, F317, F335 & F336)	*	28	8769-8	Dust Cap, Deck Caster	2
12	5850-5	Handle Grip (1 x 1 x 3-3/4)	1	Fasteners			
13	8911-25	Tilt Bar With Grip (42-1/2) (Includes Item # 12)	1	F014	3/8-16 ESNA Nut		2
14	7775-5	Lock Pin (5/16)	1	F117	Retainer Ring		2
15	8674-10	Lever, Deck Lock, RH	1	F140	7/16-14 x 1 Hex Bolt		4
16	8740	Deck Pin Bushing (3/4 ID)	4	F166	Retainer Ring		2
17	5830	Grease Fitting	6	F218	7/16 Split Lock Washer		4
				F263	1-1/4 External Snap Ring		4
				F317	3/16 x 1 Split Spring Pin		4
				F335	3/8-16 x 7/8 Set Screw, SS		2
				F336	3/8-16 Jam Nut		2
				F344	3/4-16 Slotted Hex Nut		2
				F347	3/4 SAE Washer		2
				F348	1/8 x 1-1/2 Cotter Pin		2

* Service Part Only

NOTE: The E-Z Pin Puller P/N 8770 can be ordered to assist removing and installing height adjustment hitch pins on larger decks. This item stows on tractor when not in use.

62 INCH COMPLETE CARRIER FRAME ASSEMBLY (P/N 8911)



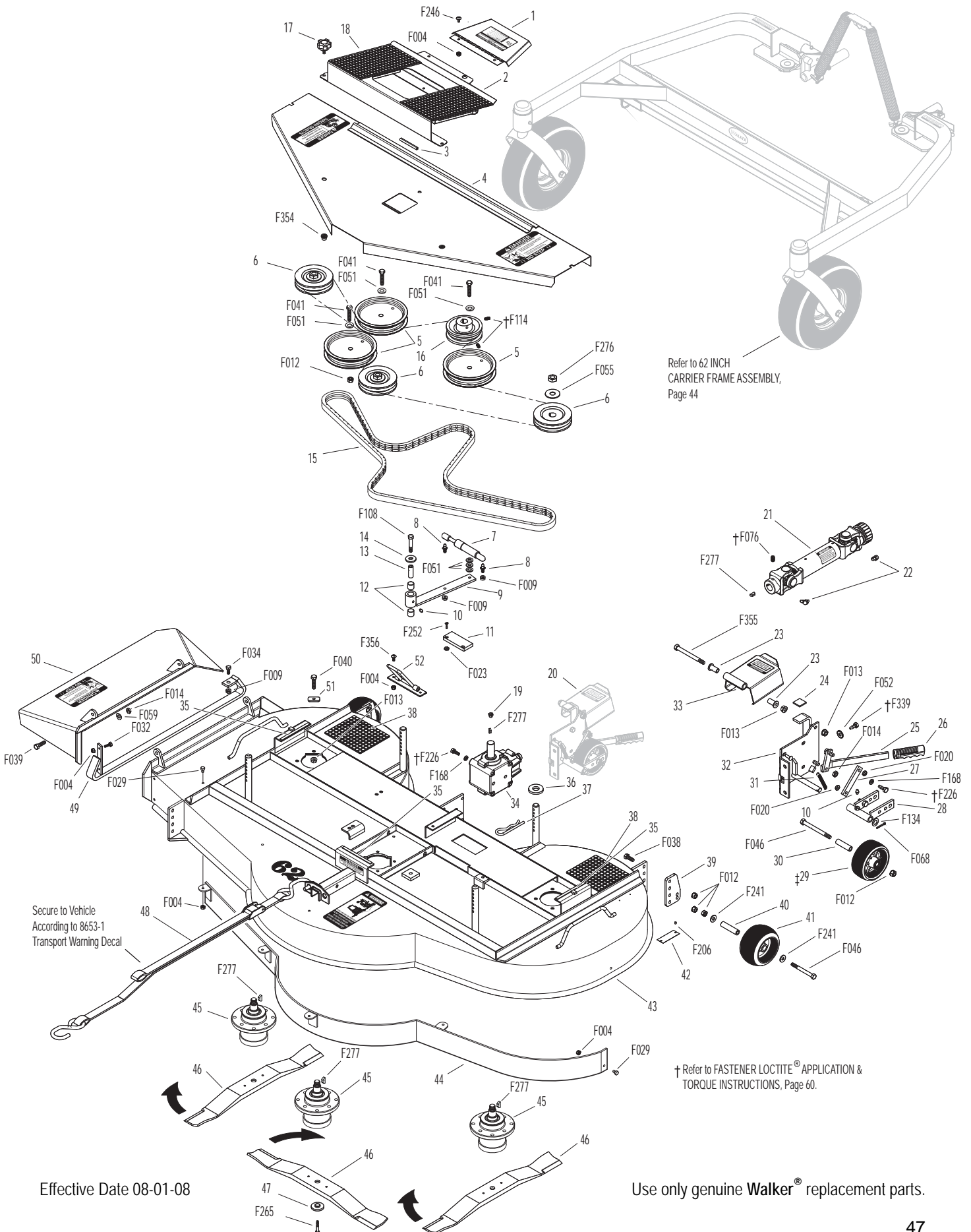
DSD62 DECK ASSEMBLY (P/N 8910)

ITEM NO.	PART NO.	DESCRIPTION	NO. REQ'D	ITEM NO.	PART NO.	DESCRIPTION	NO. REQ'D	
Blade Drive Components				44	8792-10	Baffle, DSD62	1	
1	8789-5	Pulley Guard	1	45	8052-2	Blade Spindle	3	
2	8786-15	Footrest Assembly (Includes Item # 18)	1	46	5705-3	Blade, 22" (RH Rotation)	3	
3	8754-3	Edge Molding	2		5705-13	62 SD Blade Set	*	
4	8785-10	62 SD Cover Plate (Includes Items # 3 & F354)	1	47	8728	Machine Bushing (1/2 x 1-1/2)	3	
5	8245	Idler Pulley (6")	3	48	8910-5	Tie-Down Strap (Used to secure deck in tilt-up position during transport)	2	
6	8240	Blade Drive Pulley (4-1/2)	3	49	8707	52/62 SD Skid Bar	1	
7	8762	Dampening Spring (Gas)	1	50	8709	52/62 SD Discharge Shield	1	
8	5146	10mm Ball Stud	2	51	5052-3	1.375 x .750 x .187 Washer	12	
9	8373-3	Idler Arm (2-Hole)	1	52	8670-10	Tilt-Up Hook	1	
10	5830	Grease Fitting	2	Fasteners				
11	8374-1	Idler Arm Guide	1		F004	1/4-20 Keps Nut	11	
12	7201-3	DU Bearing	2		F009	5/16-18 Whiz Locknut	3	
13	7201-4	Inner Race (1-1/2)	1		F012	3/8-16 Keps Nut	11	
14	5841	Retainer Washer (3/8 x 1-1/4)	1		F013	3/8-16 Whiz Locknut	14	
15	8731	Blade Drive Belt, (23VX1180)	1		F014	3/8-16 ESNA Nut	3	
16	6240-2	Drive Pulley (4-1/2 / 3V) (Includes Items # F114 & F277)	1		F020	5/16-18 ESNA Nut	2	
17	8787	Deck Cover Knob	3		F023	10-24 ESNA Nut	2	
18	8786-10	Rubber Mat (6 x 10-1/2)	2		F029	1/4-20 x 1/2 Hex Bolt	5	
Gearbox and Dolly Wheel Components						F032	1/4-20 x 3/4 Hex Bolt	2
19	6206	Pressure Relief Valve	1		F034	5/16-18 x 3/4 Hex Bolt	1	
20	8745-25	Dolly Wheel/PTO Guard Assembly (Includes Items # 23, 24, 26, 29, 30, 33, F012, F013, F046, F052, F168, F226, F339 & F355)	*		F038	3/8-16 x 1 Hex Bolt	6	
21	8285-20	U-Joint Shaft Assy, T-Scope (Includes Items # 22, F076 & F277)	1		F039	3/8-16 x 1-1/4 Hex Bolt	2	
22	5830-3	Grease Fitting (45 Degree)	2		F040	3/8-16 x 1-1/2 Hex Bolt	12	
23	5103-4	Pivot Bushing (3/8 ID)	2		F041	3/8-16 x 1-3/4 Hex Bolt	3	
24	8788	Rubber Bumper (Self-Adhesive Mount)	1		F046	3/8-16 x 3-1/2 Hex Bolt	4	
25	8745-14	Retract Lever	1		F051	3/8 SAE Washer	6	
26	5850-1	Handle Grip	1		F052	5/16 External Star Lock Washer	2	
27	8745-12	Actuator Link	1		F055	5/8 SAE Washer	3	
28	8745-13	Dolly Wheel Mount (Includes Item # 10)	1		F059	3/8 Wave Spring Washer	2	
29	6715	Roller Wheel (3-7/8)	1		F068	1/8 x 1 Cotter Pin	1	
30	8745-15	Axle Spacer Tube	1		F076	3/8-16 x 5/8 SQH Set Screw	1	
31	5229	Extension Spring (1/2 x 2-1/4)	1		F108	3/8-16 x 2 Hex Bolt	1	
32	8745-20	Mount Bracket (Includes Items # 24, F052, F068 & F339)	1		F114	5/16-18 x 5/8 SQH Set Screw	2	
33	8745-40	PTO Cover Plate	1		F134	AN960816L Washer	1	
34	8051-10	Right Angle Gearbox (Includes Item # 19)	1		F168	5/16 Split Lock Washer	8	
Deck Housing Components						F206	#2 x 3/16 Drive Pin	2
35	8790	Rubber Cushion Strip	3		F226	5/16-18 x 7/8 Hex Bolt	8	
36	8727	Washer Shim (13/16 x 1/4)	4		F241	.375 x .875 x .10 Washer	6	
37	8775	Hitch Pin (#219)	4		F246	1/4-20 x 1/2 PTHMS	2	
38	8735-10	Rubber Mat (5 x 6)	2		F252	10-24 x 3/4 PFHMS	2	
39	8720-30	Anti-Scalp Wheel Mount	3		F265	1/2-20 x 1-1/2 Hex Bolt	3	
40	8745-30	Axle Spacer Tube	3		F276	5/8-11 Jam Nut	3	
41	6715-1	Roller Wheel (5")	3		F277	3/16 x 5/8 Woodruff Key (#605)	5	
42	NS	Deck Serial Number Plate	1		F339	5/16-18 x 3/4 Self-Tapping Bolt	2	
43	8910-10	62 SD Deck Housing (Includes Items # 35 & 38)	1		F354	5/16 Knurled Thread Insert	2	
					F355	3/8-16 x 4 Hex Bolt	1	
					F356	1/4-20 x 5/8 PTHMS, SS	2	
				*	Service Part Only			

Use only genuine Walker® replacement parts.

Effective Date 08-01-08

DSD62 DECK ASSEMBLY (P/N 8910)



Effective Date 08-01-08

Use only genuine Walker® replacement parts.

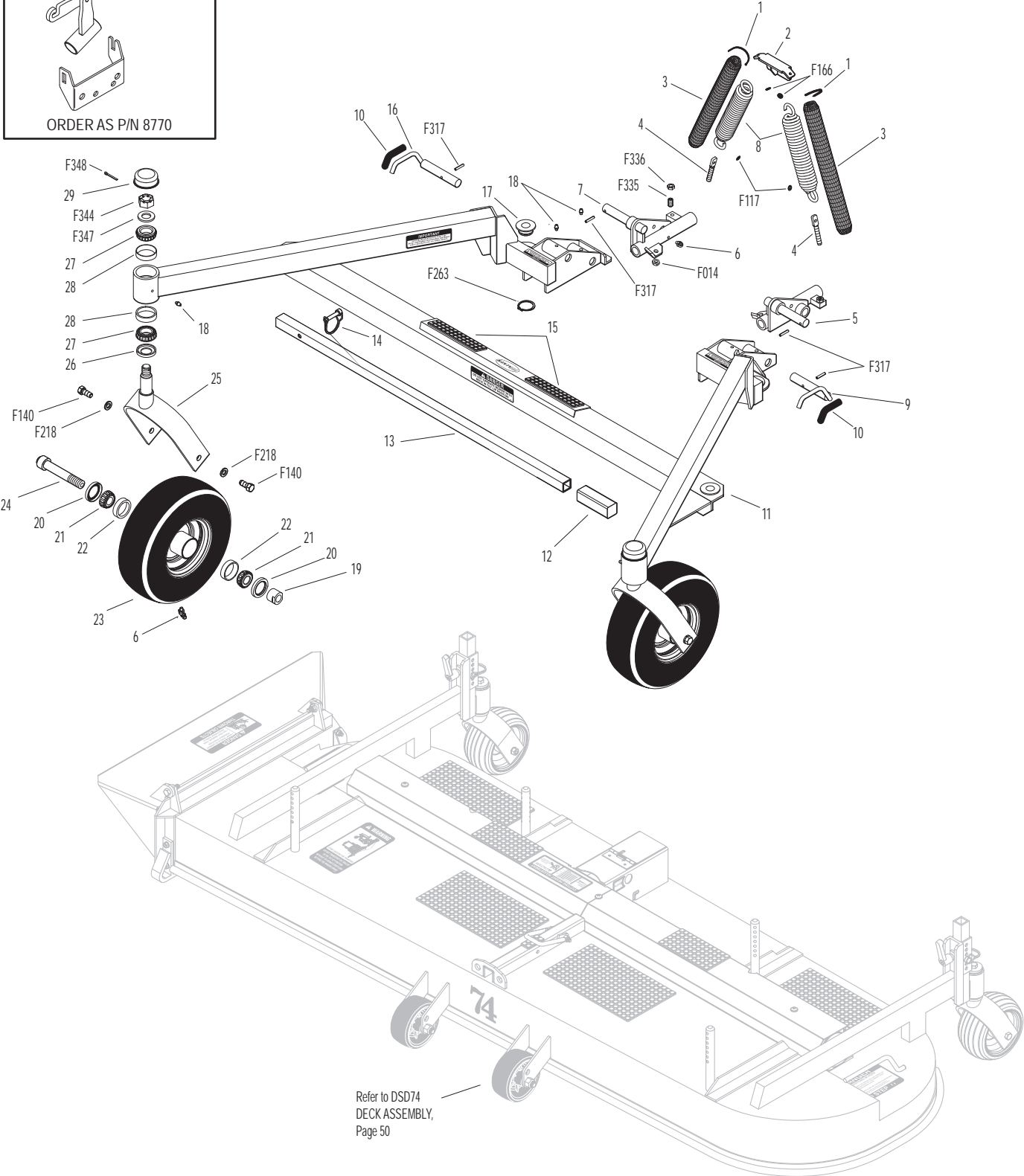
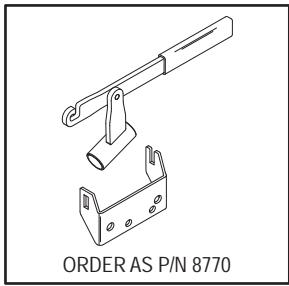
74 INCH COMPLETE CARRIER FRAME ASSEMBLY (P/N 7803)

ITEM NO.	PART NO.	DESCRIPTION	NO. REQ'D	ITEM NO.	PART NO.	DESCRIPTION	NO. REQ'D
Spring and Pivot Mount Components				Caster Wheel Components			
1	5975-3	Cable Tie (50# x 7")	4	19	8766	Axle Nut (3/4-16)	2
2	5744-1	Spring Clip Bracket	1	20	8768-2	Seal, Reverse Lip	4
3	5743-1	Spring Cover	2	21	8037	Bearing Cone (3/4 ID)	4
4	5743-4	Eyebolt (3/8-16 x 2-3/4)	2	22	8037-2	Bearing Race	4
5	8667-10	Pivot Mount, LH/Adj.	1	23	8768	Caster Wheel, Pneumatic (11 x 4.00-5)	2
6	5830-3	Grease Fitting (45 Degree)	4			(Includes Items # 6 & 21)	
7	8667-20	Pivot Mount, RH/Adj.	1		8768-3	Tire, Pneumatic (11 x 4.00-5)	*
8	5743-6	Extension Spring (1-1/2 x 7-3/4) (Includes Items # 1, F117 & F166)	2		8768-5	Caster Wheel (5 x 3)	*
Carrier Frame Components				24	8767	Axle, Caster Wheel (5-1/8)	2
9	8674-11	Lever, Deck Lock, LH	1	25	8765-10	Caster Wheel Fork	2
10	7406-1	Handle Grip (Red)	2	26	8769-7	Seal	2
11	7803-1	74 SD Carrier Frame (Includes Item # 15)	1	27	8769-6	Bearing Cone (1" ID)	4
12	5850-5	Handle Grip (1 x 1 x 3-3/4)	1	28	8769-5	Bearing Cup (2 x 1-5/8)	4
13	8811-25	Tilt Bar with Grip (35") (Includes Item # 12)	1	29	8769-8	Dust Cap, Deck Caster	2
14	7775-5	Lock Pin (5/16)	1	Fasteners			
15	5748-10	Rubber Mat (1-1/2 x 6)	2		F014	3/8-16 ESNA Nut	2
16	8674-10	Lever, Deck Lock, RH	1		F117	Retainer Ring	2
17	8740	Deck Pin Bushing (3/4 ID)	4		F140	7/16-14 x 1 Hex Bolt	4
18	5830	Grease Fitting	6		F166	Retainer Ring	2
					F218	7/16 Split Lock Washer	4
					F263	1-1/4 External Snap Ring	4
					F317	3/16 x 1 Split Spring Pin	4
					F335	3/8-16 x 7/8 Set Screw, SS	2
					F336	3/8-16 Jam Nut	2
					F344	3/4-16 Slotted Hex Nut	2
					F347	3/4 SAE Washer	2
					F348	1/8 x 1-1/2 Cotter Pin	2

* Service Part Only

NOTE: The E-Z Pin Puller P/N 8770 can be ordered to assist removing and installing height adjustment hitch pins on larger decks. This item stows on tractor when not in use.

74 INCH COMPLETE CARRIER FRAME ASSEMBLY (P/N 7803)



Refer to DSD74
DECK ASSEMBLY,
Page 50

Refer to LUBRICATION POINTS, Page 58.

DSD74 DECK ASSEMBLY (P/N 7803-2)

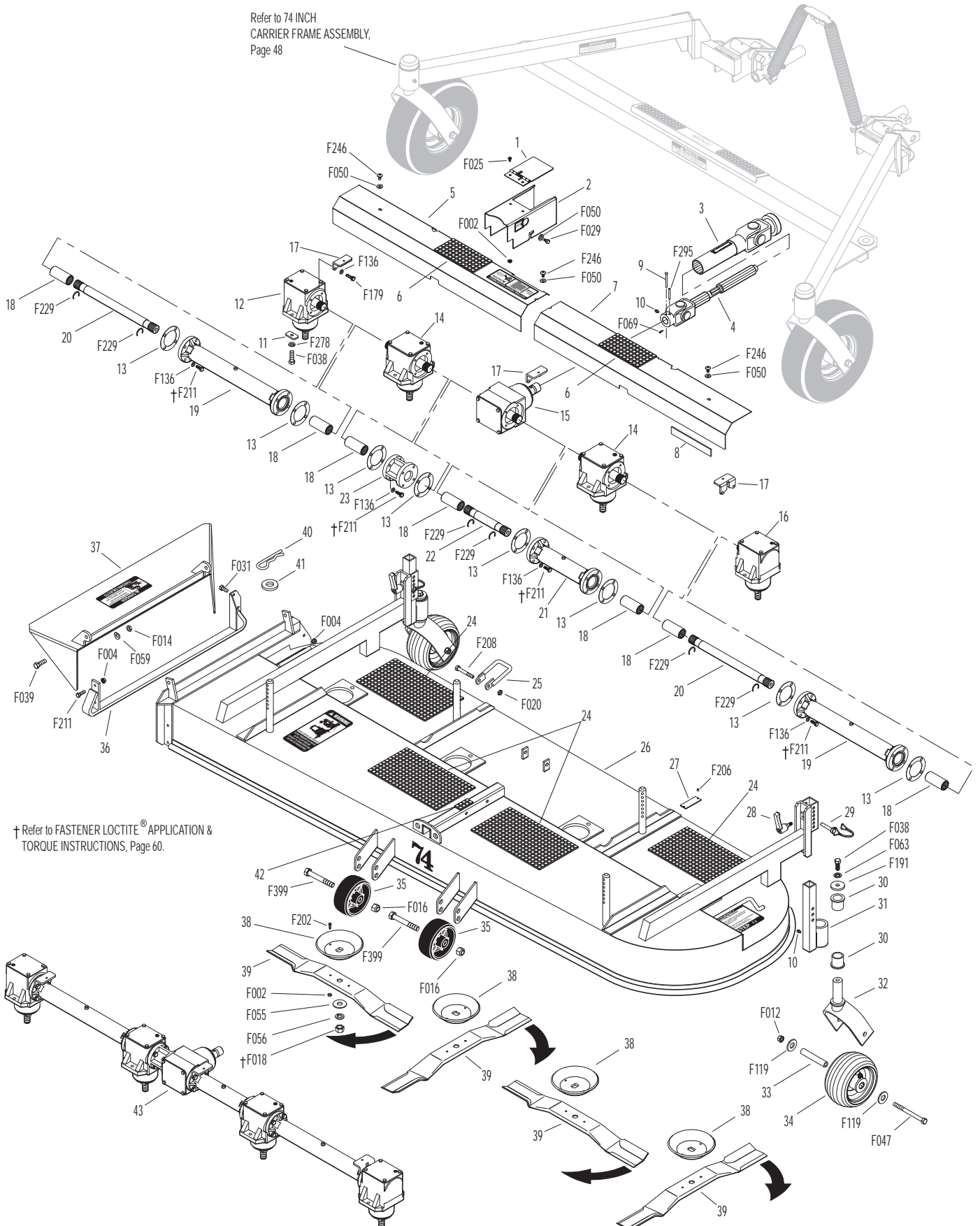
ITEM NO.	PART NO.	DESCRIPTION	NO. REQ'D	ITEM NO.	PART NO.	DESCRIPTION	NO. REQ'D
Gearbox and Drive Components				36	7807-1	74 SD Skid Bar	1
1	8618-1	Cover, PTO Shaft Guard	1	37	7809-1	74 SD Discharge Shield	1
2	8619	PTO Shaft Guard	1	38	5706	Blade Hub & Trash Guard	4
	8618	PTO Shaft Guard Assembly (Includes Items # 1, 2, F002 & F025)	*	39	5705-0	Blade 20" (RH Rotation)	4
3	7275-16	U-Joint Tube Assy, Spline	1		5705-16	74 SD Blade Set with Hubs (Includes Items # 38, 39, F002 & F202)	*
4	5285-15	U-Joint Shaft Assy, 90 Degree, Spline (Includes Items # 9, F069 & F295)	1	40	8775	Hitch Pin (#219)	4
5	7865-6	74 SD Gearbox Cover, RH (Includes Items # 6 & 8)	1	41	8727	Washer Shim (13/16 x 1/4)	4
6	5747-10	Rubber Mat, No-Hole (3 x 6)	2	42	8788-1	Rubber Mat (1 x 2)	1
7	7865-5	74 SD Gearbox Cover, LH (Includes Items # 6 & 8)	1	43	5704-32	74 Gearbox and Tube Assembly, Heavy Duty (Includes Items # 5-8, 12-23 & F229)	1
8	8790	Rubber Cushion Strip	2	Fasteners			
9	8067-13	Shear Pin w/Cotter (Set of 5) (Includes Item # F069)	1	F002	10-24 Keps Nut		10
10	5830	Grease Fitting	3	F004	1/4-20 Keps Nut		4
11	5052-3	1.375 x .750 x .187 Washer	8	F012	3/8-16 Keps Nut		2
Heavy Duty Drive Components				F014	3/8-16 ESNA Nut		2
12	5053-6	Gearbox, RH (1:1.2) Heavy Duty	1	F016	1/2-13 Self-Locking Nut		2
13	P007	Gasket, Cap (P#788030)	8	F018	5/8-18 Hex Nut		4
14	5058-6	Tee Gearbox (1:1.2)	2	F020	5/16-18 ESNA Nut		1
15	5051-6	Tee Gearbox, Shear	1	F025	10-24 x 3/8 PPHMS		2
16	5052-6	Gearbox, LH (1:2.2) Heavy Duty	1	F029	1/4-20 x 1/2 Hex Bolt		2
17	5704-1	Gearbox Cover Support	3	F031	1/4-20 x 5/8 Hex Bolt		2
18	6054	Spline Coupling	7	F038	3/8-16 x 1 Hex Bolt		10
19	5069	Connector Tube (14-1/2)	2	F039	3/8-16 x 1-1/4 Hex Bolt		2
20	6732-9	Connecting Shaft (12-1/8)	2	F047	3/8-16 x 4-1/2 Hex Bolt		2
21	5063	Connector Tube (8-5/8)	1	F050	1/4 SAE Washer		5
22	6732-3	Connecting Shaft (6-1/4)	1	F055	5/8 SAE Washer		4
23	5060	Connector Tube (2-5/16)	1	F056	5/8 Split Lock Washer		4
Deck Housing Components				F059	3/8 Wave Spring Washer		2
24	8786-10	Rubber Mat (6 x 10-1/2)	4	F063	3/8 Int. Star Lock Washer		2
25	8670-8	Tilt-Up Hook	1	F069	3/32 x 1/2 Cotter Pin		1
26	7803-3	74 SD Deck Housing (Includes Items # 24 & 42)	1	F119	Rear Caster Spacer		4
27	NS	Deck Serial Number Plate	1	F136	AN960C416L Washer		32
28	7866-1	Lock Lever, Rear Caster	2	F179	1/4-20 x 1 Hex Bolt		6
29	7775-5	Lock Pin (5/16)	2	F191	3/8 x 1-1/2 x 3/16 Washer		2
30	5683	Pivot Bearing	4	F202	10-24 x 5/8 SHC Screw, GR5 SS		8
31	7866	74 SD Rear Fork Mount (Includes Items # 10 & 30)	2	F206	#2 x 3/16 Drive Pin		2
32	7870	74 SD Rear Fork	2	F208	5/16-18 x 2-1/4 Hex Bolt		1
33	5714-3	Axle Spacer Tube	2	F211	1/4-20 x 7/8 Hex Bolt		24
34	7868	74 SD Caster Wheel/Rear	2	F229	C-Clip (13/16)		6
35	6715	Roller Wheel (3-7/8)	2	F246	1/4-20 x 1/2 PTHMS		3
				F278	3/8 Split Lock Washer		8
				F295	3/16 x 1-1/2 Split Spring Pin		1
				F399	1/2-13 x 3-1/4 Hex Bolt		2
				* Service Part Only			

Use only genuine Walker® replacement parts.

Effective Date 08-01-08

DSD74 DECK ASSEMBLY (P/N 7803-2)

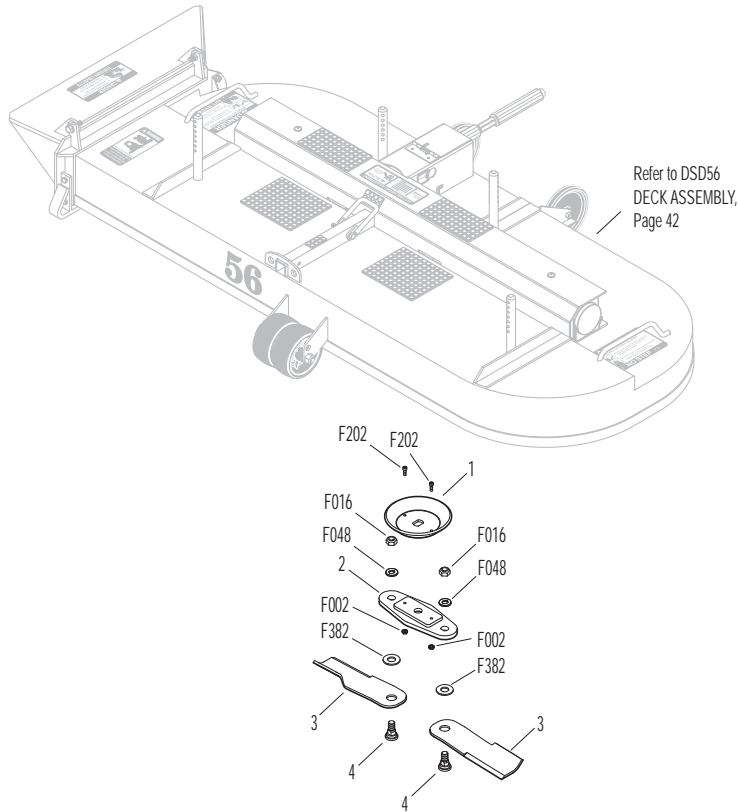
Refer to 74 INCH
CARRIER FRAME ASSEMBLY,
Page 48



† Refer to FASTENER LOCTITE® APPLICATION & TORQUE INSTRUCTIONS, Page 60.

OPTIONAL BREAK-AWAY BLADES

ITEM NO.	PART NO.	DESCRIPTION	NO. REQ'D	ITEM NO.	PART NO.	DESCRIPTION	NO. REQ'D
----------	----------	-------------	-----------	----------	----------	-------------	-----------



DSD 42" Break-Away Blade Kit (5705-33)

1	5706	Blade Hub & Trash Guard	2
2	5706-27	Blade Hub, 42"	2
3	5705-30	Break Away Blade	4
4	5705-17	Special Bolt (1/2-13 x 1-7/16)	4

DSD 74" Break-Away Blade Kit (5705-34)

1	5706	Blade Hub & Trash Guard	4
2	5706-26	Blade Hub, 36, 56 & 74	4
3	5705-30	Break Away Blade	4
4	5705-17	Special Bolt (1/2-13 x 1-7/16)	8

DSD 48" Break-Away Blade Kit (7705-8)

1	5706	Blade Hub & Trash Guard	2
2	5706-25	Blade Hub, 48"	2
3	5705-30	Break Away Blade	4
4	5705-17	Special Bolt (1/2-13 x 1-7/16)	4

Fasteners

F002	10-24 Keps Nut	*
F016	1/2-13 Self-Locking Nut	*
F048	1/2 SAE Washer	*
F202	10-24 x 5/8 SHC Screw, GR5 SS	*
F382	Belleville Washer (.650 x 1.36)	*

DSD 56" Break-Away Blade Kit (5705-32)

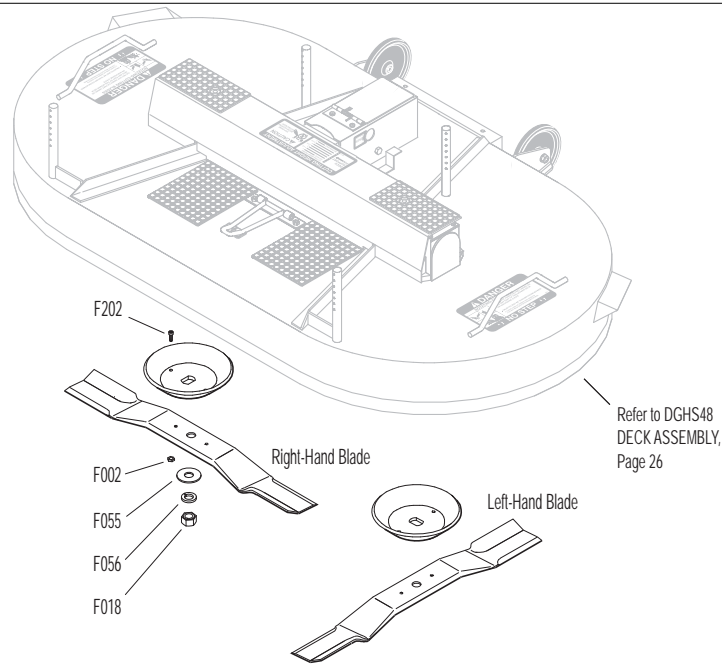
1	5706	Blade Hub & Trash Guard	3
2	5706-26	Blade Hub, 36, 56 & 74	3
3	5705-30	Break Away Blade	3
4	5705-17	Special Bolt (1/2-13 x 1-7/16)	6

* Quantities vary

NOTE: Optional blade kit featuring blades mounted on a break-away hub, for use in mowing applications with lots of ground and debris contact, to minimize impact and shock loading.

NOTE: Break-Away blades are designed for use on Side Discharge decks only.

BLADE USAGE CHART



TWO BLADE DECKS	RH BLADE	LH BLADE	BLADE SET
DGHS36	5705-2	5705-0	5705-6
DSD36	5705-1	5705-1	5705-5
DML36	5705-23	5705-23	
DGHS42	5705-4	5705-3	5705-8
DSD42	5705-3	5705-3	5705-7
DML42A	5705-28	5705-28	5705-19
DML42B	5705-11 (Upper Blade) 5705-10 (Lower Blade)	5705-11 (Upper (Blade) 5705-10 (Lower Blade)	5705-12
DGHS48	7705-2	7705-1	7705-3
DSD48	7705-1	7705-1	7705-5
DGHS52	7705-6	7705-7	7705-9

THREE & FOUR BLADE DECKS	SINGLE BLADE	BLADE SET
DSD52	5705-14	8738-7*
DSD52 MULCHING UPPER BLADE	5705-15	8738-8*
DSD52 MULCHING LOWER BLADE	5705-14	8738-7*
DSD56	5705-0	5705-9
DSD62	5705-3	5705-13
DSD74	5705-0	5705-16

Right hand and left hand orientated with operator on seat.

All blade sets include 5706 (Blade Hub & Trash Guard), F002 & F202 unless otherwise specified.

* Blade set consists of three (3) blades

Effective Date 08-01-08

Use only genuine Walker® replacement parts.

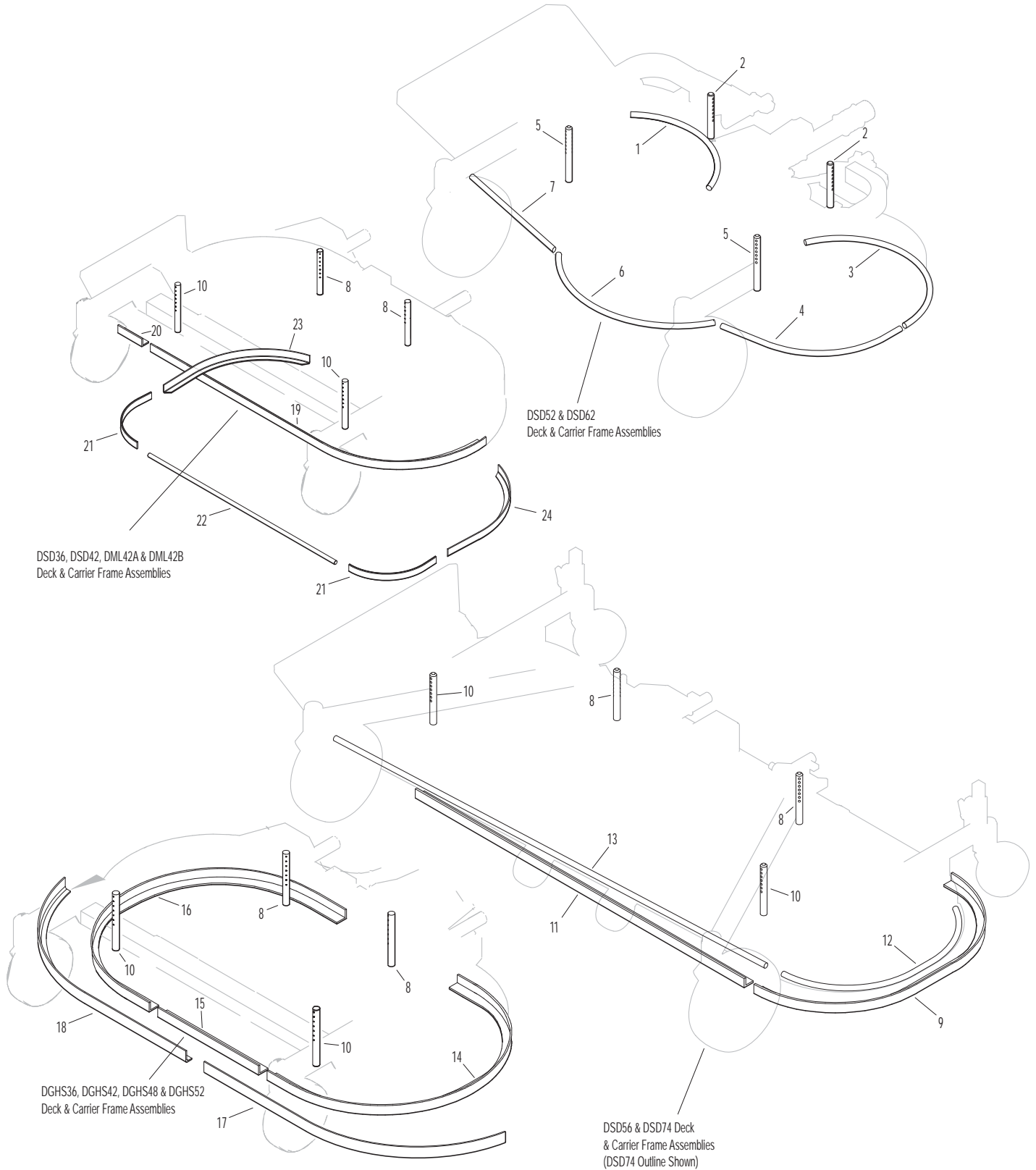
DECK WELDMENT REPLACEMENT PARTS

ITEM NO.	PART NO.	DESCRIPTION	LOCATION	NO. REQ'D
NOTE: All parts listed in this section are for Weld-On Repair; Cutting, Grinding, and Welding are required to replace these parts.				
DSD52 & DSD62 Weldments				
1	8733-3	Rim Rod, RH Rear (20-3/4)	DSD52	1
	8751-2	Rim Rod, RH Rear (28-3/8)	DSD62	1
2	8760-2	Rear Deck Pin (3/4 x 5-3/4)	DSD52, DSD62 & DSD74	2
3	8733-63	Rim Rod, LH Rear (28-3/4)	DSD52	1
	8751-3	Rim Rod, LH Rear (34-3/8)	DSD62	1
4	8733-5	Rim Rod, LH Front (22-7/8)	DSD52	1
	8751-4	Rim Rod, LH Front (28-5/16)	DSD62	1
5	8760-1	Front Deck Pin (3/4 x 7-5/8)	DSD52 & DSD62	2
6	8733-61	Rim Rod, Front Center (26-5/8)	DSD52	1
	8751-5	Rim Rod, Front Center (29-1/4)	DSD62	1
7	8733-10	Rim Rod, RH Front (16-1/4)	DSD52	1
	8751-6	Rim Rod, RH Front (19-1/4)	DSD62	1
DSD56 Weldments				
8	5760-4	Rear Deck Pin (5/8 x 5-3/8)	All Decks Except DSD52, DSD62 & DSD74	2
9	6752-6	Deck Cap Strip, 56SD LH (39")	DSD56 & DSD74	1
10	5760-7	Front Deck Pin (5/8 x 5-3/4)	DSD56	2
11	6752-4	Deck Cap Strip, 56SD Front (42")	DSD56	1
DSD74 Weldments				
8	8760-2	Rear Deck Pin (3/4 x 5-3/4)	DSD52, DSD62 & DSD74	2
10	7865-18	Front Deck Pin (3/4 x 6-5/8)	DSD74	2
12	8751-7	Rim Rod, LH	DSD74	1
13	8751-8	Rim Rod, Front (13-1/2)	DSD74	1
DGHS Weldments				
8	5760-4	Rear Deck Pin (5/8 x 5-3/8)	All Decks Except DSD52, DSD62 & DSD74	2
10	5760-3	Front Deck Pin (5/8 x 5-3/4)	All Decks Except DSD52, DSD56, DSD62 & DSD74	2
14	5751-3	Deck Cap Strip, GHS LH (43-3/4)	DGHS36	1
	5751-1	Deck Cap Strip, GHS LH (49-3/8)	DGHS42	1
	7701-10	Edge Stiffener, Side (42-3/8)	DGHS48	2
15	7701-11	Edge Stiffener, Front (21-7/8)	DGHS48	1
16	5751-4	Deck Cap Strip, GHS RH (47-5/8)	DGHS36	1
	5751-2	Deck Cap Strip, GHS RH (49-3/8)	DGHS42	1
17	6752-7	Deck Cap Strip, 52GHS LH	DGHS52	1
18	6752-8	Deck Cap Strip, 52GHS RH	DGHS52	1
DSD & DML Weldments				
8	5760-4	Rear Deck Pin (5/8 x 5-3/8)	All Decks Except DSD52, DSD62 & DSD74	2
10	5760-3	Front Deck Pin (5/8 x 5-3/4)	All Decks Except DSD52, DSD56, DSD62 & DSD74	2
19	5702-6	Deck Cap Strip, (47")	DSD36	1
	5751-5	Deck Cap Strip, 42" SD LH (47")	DSD42	1
20	5751-6	Deck Cap Strip, 42" SD Front (3-9/16)	DSD42	1
21	5751-11	DML42A Edge Stiffener	DML42A	2
22	5751-12	DML42A Front Stiffener	DML42A	1
23	5751-14	DML42A Deck Cap Strip, RH	DML42A	1
24	5751-13	DML42A Deck Cap Strip, LH	DML42A	1

Use only genuine Walker® replacement parts.

Effective Date 08-01-08

DECK WELDMENT REPLACEMENT PARTS

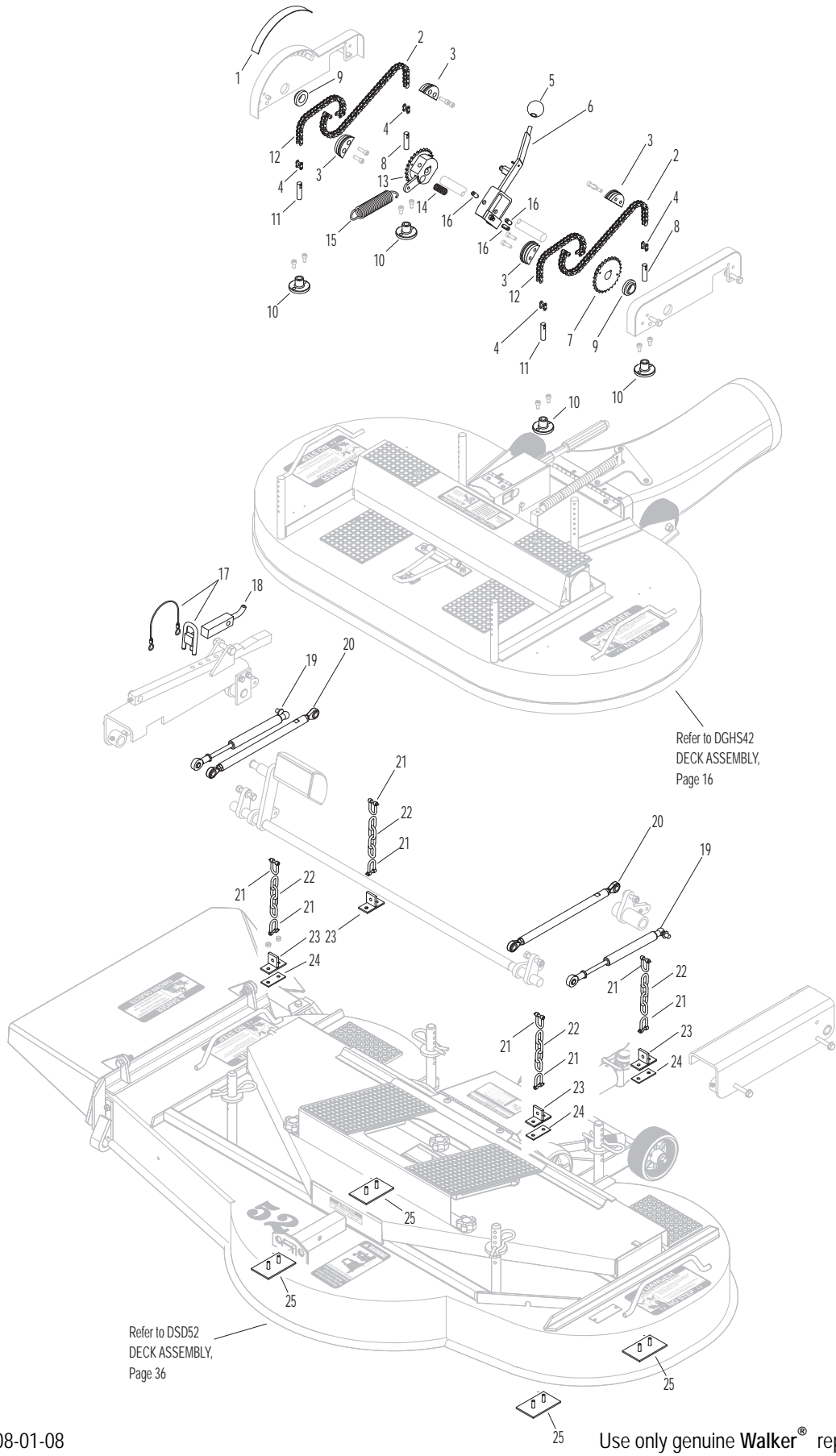


DECK HEIGHT ADJUSTER KIT

ITEM NO.	PART NO.	DESCRIPTION	NO. REQ'D	ITEM NO.	PART NO.	DESCRIPTION	NO. REQ'D
	8639	36" Deck Height Adjuster Kit (Shown)			8641	48" Deck Height Adjuster Kit	
1	8642-2	Decal, Deck Height Position	1	1	8642-2	Decal, Deck Height Position	1
2	NA			2	8641-12	Rear Chain (48" Carrier Frame - 41 Links)	2
3	8640-2	Chain Guide	4				
4	8640-4	Joining Link	8	3	8640-2	Chain Guide	4
5	8640-7	Knob, Deck Height Adjuster	1	4	8640-4	Joining Link	8
6	8640-8	Handle	1	5	8640-7	Knob, Deck Height Adjuster	1
9	8640-3	Bushing (1-3/8 x 3/4)	2	6	8640-8	Handle	1
10	8640-6	Mount Block	4	7	8640-15	Sprocket, LH (972)	1
11	8640-5	Chain Anchor, Front	4	8	8640-11	Chain Anchor, Rear	2
12	8640-13	Front Chain (19 Links)	2	9	8640-3	Bushing (1-3/8 x 3/4)	2
14	8640-9	Compression Spring (2-3/4)	1	10	8640-6	Mount Block	4
15	8641-10	Extension Spring, (6-1/4") (48" Carrier Frame)	1	11	8640-5	Chain Anchor, Front	2
16	8640-16	Roll Pin (8 x 20mm)	3	12	8640-13	Front Chain (19 Links)	2
	8640	42" Deck Height Adjuster Kit		13	8640-14	Sprocket, RH (973)	1
1	8642-2	Decal, Deck Height Position	1	14	8640-9	Compression Spring (2-3/4)	1
2	8640-12	Rear Chain	2	15	8641-10	Extension Spring (6-1/4") (48" Carrier Frame)	1
3	8640-2	Chain Guide	4	16	8640-16	Roll Pin (8 x 20mm)	3
4	8640-4	Joining Link	8		8643	52" Deck Height Adjuster Kit (Shown)	
5	8640-7	Knob, Deck Height Adjuster	1	17	8643-8	Height Location Pin/Rope	1
6	8640-8	Handle	1	18	8643-10	Height Locator Block	1
7	8640-15	Sprocket, LH (972)	1	19	8643-2	Gas Spring	2
8	8640-11	Chain Anchor, Rear	2	20	8643-1	Connecting Rod	2
9	8640-3	Bushing (1-3/8 x 3/4)	2	21	8643-3	Shackle	8
10	8640-6	Mount Block	4	22	8643-4	Chain (4 Links)	4
11	8640-5	Chain Anchor, Front	2	23	8643-5	Chain Anchor Bracket	4
12	8640-13	Front Chain (19 Links)	2	24	8643-6	Chain Anchor Spacer	4
13	8640-14	Sprocket, RH (973)	1	25	8643-7	Chain Anchor Doubler	4
14	8640-9	Compression Spring (2-3/4)	1		8644	62" Deck Height Adjuster Kit	
15	8640-10	Extension Spring (1 x 5-3/8) (42" Carrier Frame)	1	17	8643-8	Height Location Pin/Rope	1
16	8640-16	Roll Pin (8 x 20mm)	3	18	8643-10	Height Locator Block	1
				19	8643-2	Gas Spring	2
				20	8643-1	Connecting Rod	2
				21	8643-3	Shackle	8
				22	8643-4	Chain (4 Links)	4
				23	8643-5	Chain Anchor Bracket	4
				24	8643-6	Chain Anchor Spacer	4
				25	8643-7	Chain Anchor Doubler	4

NOTE: DML42A and DML42B Mulching Decks use the 48" Deck Height Adjuster Kit (P/N 8641).

DECK HEIGHT ADJUSTER KIT



Refer to DGHS42
DECK ASSEMBLY,
Page 16

Refer to DSD52
DECK ASSEMBLY,
Page 36

Use only genuine Walker® replacement parts.

LUBRICATION POINTS

ITEM NO.	LOCATION	LUBRICATION TYPE	NO. PLACES
----------	----------	------------------	------------

36", 42", 48", DGHS52 & 56" Assemblies

1	Deck Caster Wheel Fork Pivot	Grease	2
2	Blade Drive Gearbox	Oil*	2
3	Tee Gearbox, Deck	Oil*	1
4	Deck Caster Wheel Bearing	Grease	2
5	Universal Joint Shaft Assembly	Grease**	1
6	Pivot Assembly, Tilt-Up Deck	Grease	4
7	Deck Support Arm Socket	Grease	2

DSD52 & DSD62 Assemblies

1	Deck Caster Wheel Fork Pivot	Grease	2
4	Deck Caster Wheel Bearing	Grease	2
5	Universal Joint Shaft Assembly	Grease**	2
6	Pivot Assembly, Tilt-Up Deck	Grease	4
7	Deck Support Arm Socket	Grease	2
8	Idler Arm, 2-Hole	Grease	1
9	Blade Spindle	Grease	3
10	Right Angle Gearbox	Oil***	1
11	Dolly Wheel Retract Lever and Linkage	Oil	1
12	Dolly Wheel Pivot	Grease	1

ITEM NO.	LOCATION	LUBRICATION TYPE	NO. PLACES
----------	----------	------------------	------------

DSD74 Assemblies

1	Deck Caster Wheel Fork Pivot	Grease	2
2	Blade Drive Gearbox	Oil*	4
3	Tee Gearbox, Deck	Oil*	1
4	Deck Caster Wheel Bearing	Grease	2
5	Universal Joint Shaft Assembly	Grease**	1
6	Pivot Assembly, Tilt-Up Deck	Grease	4
7	Deck Support Arm Socket	Grease	2
13	Rear Deck Caster Wheel Axle	Grease	2

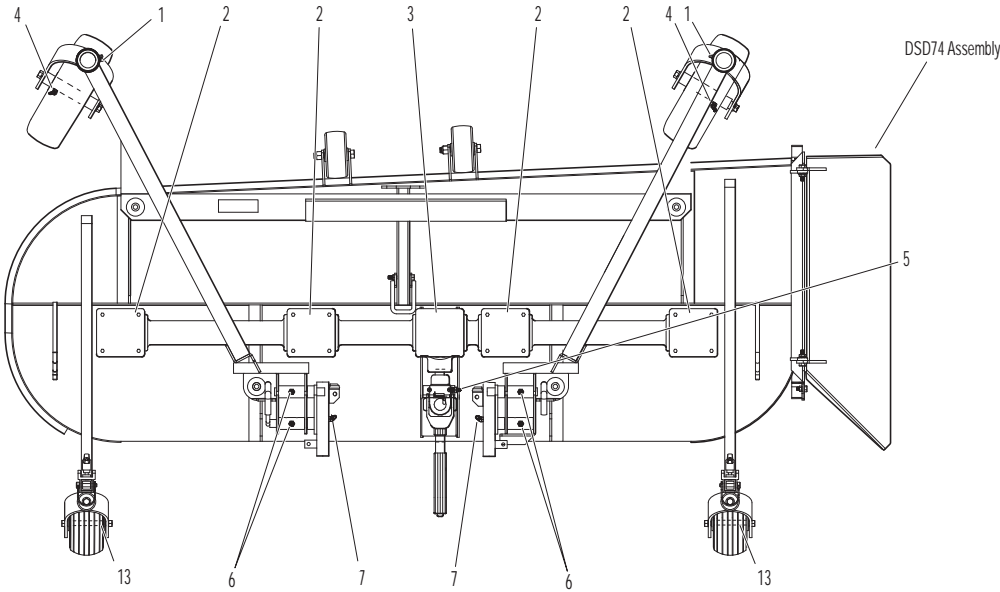
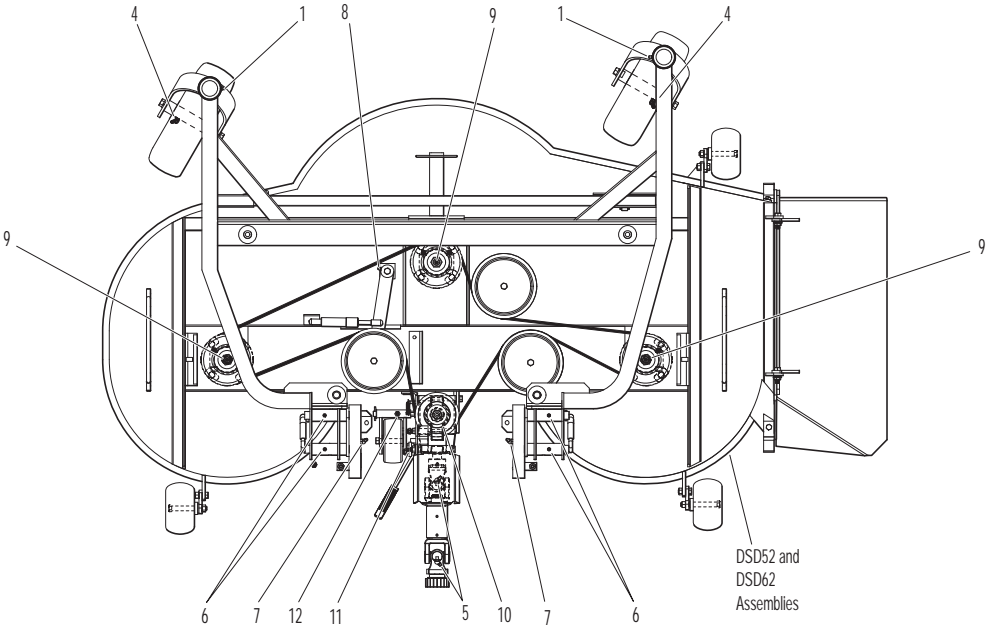
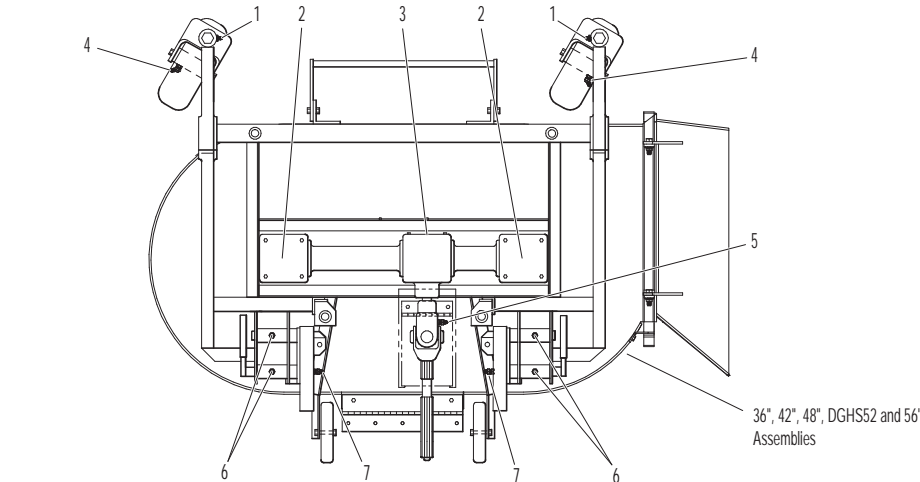
* Gearboxes are permanently lubricated and sealed requiring no scheduled lubrication. Oil level should be checked only when an oil leak is noted.

** Grease every eight (8) hours.

*** Check oil level every 100 hours. Refer to **OWNER'S MANUAL** for Lubrication Instructions.

NOTE: Exact location of some Lubrication Points may vary slightly from those shown in the illustration. Decks shown in the illustration are for reference only; for further information on location of parts not shown here, refer to the parts listings for individual Carrier Frames and Deck Assemblies.

LUBRICATION POINTS



FASTENER LOCTITE® APPLICATION & TORQUE INSTRUCTIONS

ITEM NO.	DESCRIPTION
----------	-------------

Heavy Duty Gear Drive Assemblies DSD, DGHS, DML42A
Item # 1 applies to all Heavy Duty deck models EXCEPT DSD52 and DSD62.

- 1 Apply Loctite® Threadlocker # 277 (Red) to Item # 1 used on Heavy Duty Gearbox Connector Tubes. Torque to 115 in-lb (13.0 N·m).

DGHS & DSD Deck Assemblies

Items # 2 & 3 apply to all deck models EXCEPT DSD52 and DSD62.

- 2 Apply Loctite® Threadlocker # 242 (Blue) to P/N F211 (1/4-20 x 7/8 Hex Bolt, used on Gearbox Connector Tubes) prior to assembly. Torque to 90 in-lb (10.2 N·m).
- 3 Torque P/N F018 (5/8-18 Hex Nut, used on underside of blades) to 60 ft-lb (81.4 N·m). **DO NOT** apply Loctite®.

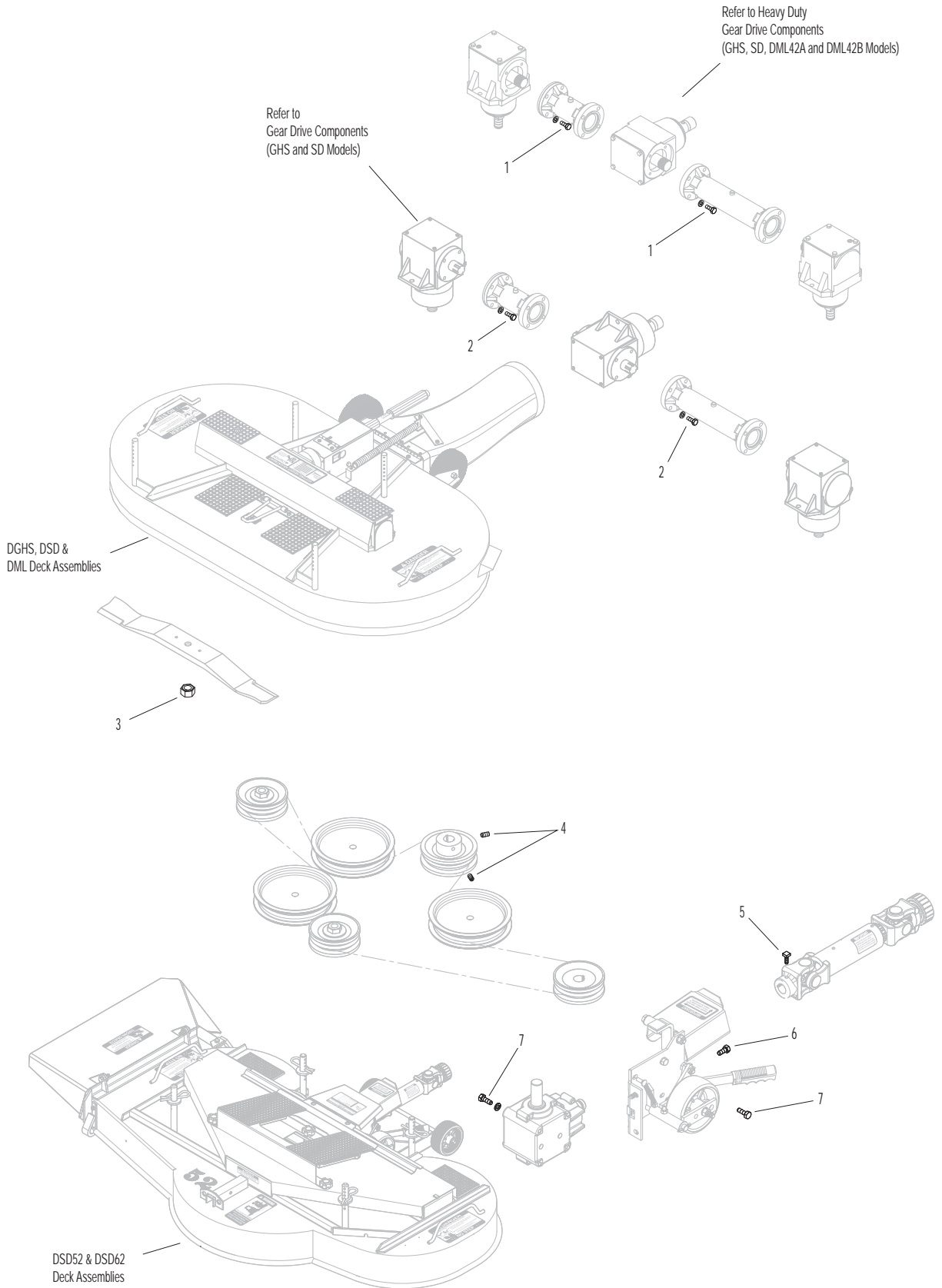
ITEM NO.	DESCRIPTION
----------	-------------

DSD52 & DSD62 Deck Assemblies

- 4 Apply Loctite® Threadlocker # 242 (Blue) to P/N F114 (5/16-18 x 5/8 SQH Set Screw, used on Drive Pulley) prior to assembly. Torque to 190 in-lb (21.5 N·m).
- 5 Apply Loctite® Threadlocker # 242 (Blue) to P/N F076 (3/8-16 x 5/8 SQH Set Screw, used on U-Joint Shaft Assy, T-Scope) prior to assembly. Torque to 400 in-lb (45.2 N·m).
- 6 Torque P/N F339 (5/16-18 x 3/4 Self-Tapping Bolt, used on Mount Bracket & PTO Guard) to 200 in-lb (22.6 N·m). **DO NOT** apply Loctite®.
- 7 Apply Loctite® Threadlocker # 242 (Blue) to P/N F226 (5/16-18 x 7/8 Hex Bolt, used on Right Angle Gearbox) prior to assembly. Torque to 18 ft-lb (24.4 N·m).

NOTE: Models DGHS48 and DSD52 are shown here. Refer to individual deck assemblies for exact locations and quantities of items listed above.

FASTENER LOCTITE® APPLICATION & TORQUE INSTRUCTIONS



MBSSD DECK ARM ADAPTER KIT (P/N 2430-10)

ITEM NO.	PART NO.	DESCRIPTION	NO. REQ'D
----------	----------	-------------	-----------

Kit 2430-10 Deck Arm Adapter Kit
 Includes Items # 1-6 and instructions. May be ordered as a kit for dealer installation. Contact your Walker dealer.

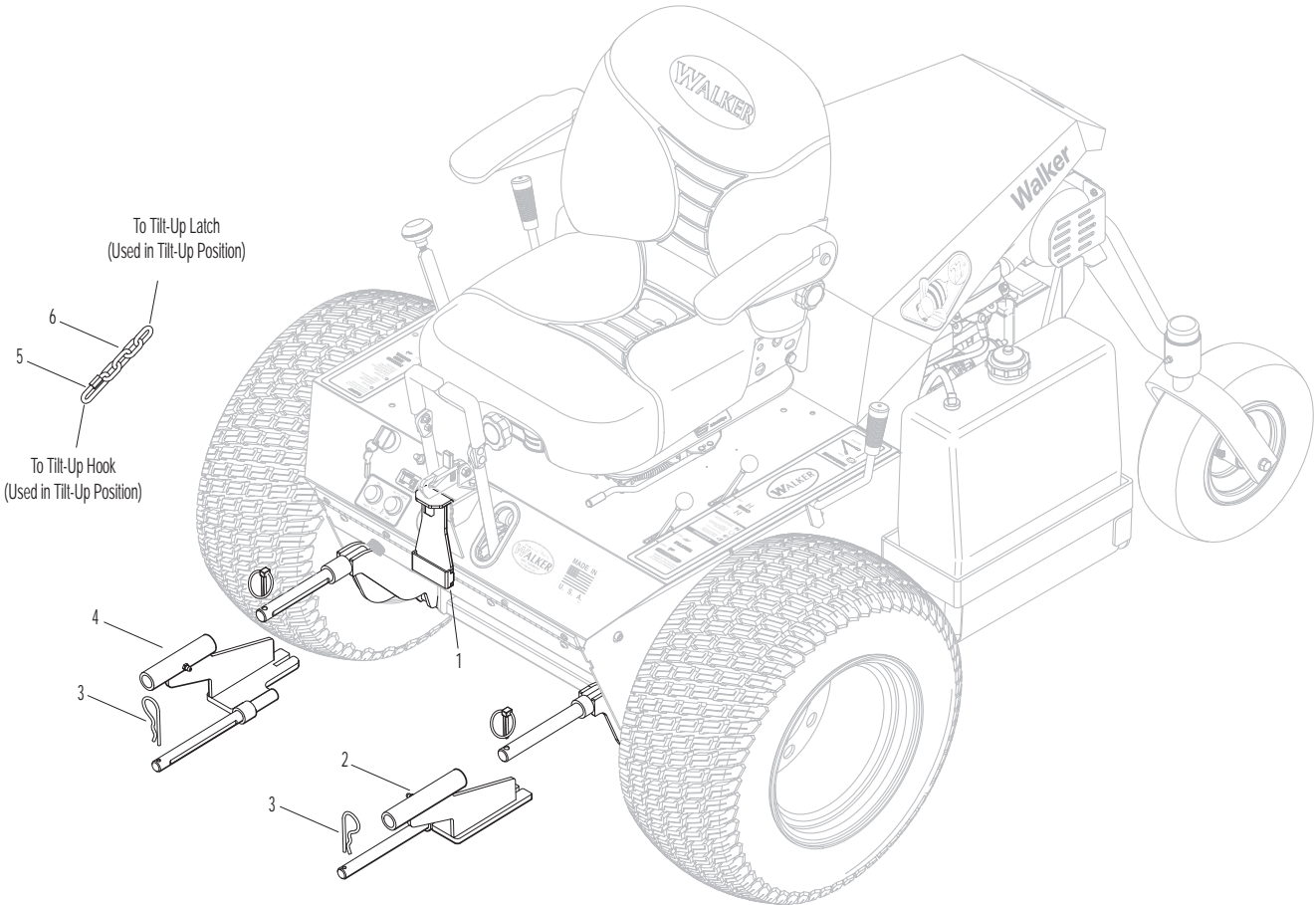
1	2744-2	Counter Weight Spring Extension	1
2	2431-1	Deck Arm Adapter, LH	1
3	5775-2	Hitch Pin (#6)	2
4	2430-1	Deck Arm Adapter, RH	1
5	2744-4	1/4" Quick Link	1
6	2744-5	Chain	1

ITEM NO.	PART NO.	DESCRIPTION	NO. REQ'D
----------	----------	-------------	-----------

NOTE: Installation of 2430-10 on the Walker Model MBSSD allows the use of the following decks:

DSD48
 DSD52
 DSD56
 DSD62
 DSD74

MBSSD DECK ARM ADAPTER KIT (P/N 2430-10)



MAINTENANCE AND SERVICE RECORD SHEET

DATE	SERVICE ITEM	ENGINE HOURS

DECK / TRACTOR COMPATIBILITY CHART

	MB	MW	MS SD	MS GHS	MC SD	MC GHS	MT SD	MT GHS	MTL/ MTEFI SD	MTEFI GHS	MTL GHS	MTL EFI GHS	MTL EFI SD	MD SD	MD GHS	MBS
DGHS36				X		X		X		X	X	X			X	
DSD36	X	X	X	*	X	*	X	*	X	*	*	*	X	X	*	
DML36	X	X	X	*	X	*	X	*	X	*	*	*		X	*	
DGHS42				X		X		X		X	X	X			X	
DSD42	X	X	X	*	X	*	X	*	X	*	*	*	X	X	*	
DML42A	X	X	X	X	X	*	X	*	X	*	*	*	X	X	*	
DML42B	X	X	X	X	X	*	X	*	X	*	*	*	X	X	*	
DGHS48						X		X		X	X	X			X	
DSD48	X	X			X	*	X	*	X	*	*	*	X	X	*	***
DGHS52						X		X		X	X	X			X	
DSD52					X	*	X	*	X	*	*	*	X	X	*	***
DSD56	X	X			X	*	X	*	X	*	*	*	X	X	*	***
DSD62							X	*	X	*	*	*	X	X	*	***
DSD74							**	* **	X	X	X	X	X	X	*	***

X Deck and tractor are fully compatible.

* When using this deck on GHS tractors, installation of P/N 7541 (Blower Lockout Kit) is recommended. Contact your Walker dealer.

** Using the DSD74 Deck with Model MT-23 is not recommended in all conditions. In certain conditions (tall, wet grass), the performance of the deck may be marginal due to a limit of horsepower with the 23-hp engine.

*** DSD Decks that are compatible with the Walker Super B using Kit # 2430-10 (Deck Arm Adapter Kit).

LIMITED WARRANTY FOR WALKER COMMERCIAL RIDER MOWER

1. WHAT THIS WARRANTY COVERS, AND FOR HOW LONG:

Walker Manufacturing company will, at its option, repair or replace, without charge, any part covered by this warranty which is found to be defective in material and/or workmanship within one (1) year* after date of sale to the original retail purchaser unless the product is used for rental purposes, in which case this warranty is limited to ninety (90) days. At Walker's request, customer will make the defective part available for inspection by Walker and/or return the defective part to Walker, transportation charges prepaid. All parts and components of the Walker Mower are covered by this warranty **except** the following components which are warranted separately by their respective manufacturers:

Kohler Engine
Kubota Engine
Kawasaki Engine
Eaton Hydraulic Transmission
Peerless Gearboxes
Battery
Tires

The available warranties covering these items are furnished with each mower. Walker does not assume any warranty obligation, liability or modification for these items, which are covered exclusively by the stated warranty of the respective manufacturers noted above.

* An extended three (3) year warranty is offered on the Walker P/N 6200-9 Gear Axle Assembly.

2. WHAT THIS WARRANTY DOES NOT COVER:

- A. This warranty does not cover defects caused by depreciation or damage caused by normal wear, accidents, improper maintenance, improper use or abuse of the product, alterations, or failure to follow the instructions contained in the Owner's Manual for operation and maintenance.
- B. The customer shall pay any charges for making service calls and/or for transporting the mower to and from the place where the inspection and/or warranty work is performed.

3. HOW TO OBTAIN SERVICE UNDER THIS WARRANTY:

Warranty service can be arranged by contacting the dealer where you purchased the mower or by contacting Walker Manufacturing Company, 5925 East Harmony Road, Ft. Collins, CO 80528. Proof of the date of purchase may be required to verify warranty coverage.

4. WARRANTY LIMITATION:

- A. **THERE IS NO OTHER EXPRESS WARRANTY. ANY WARRANTY THAT MAY BE IMPLIED FROM THIS PURCHASE INCLUDING MERCHANTABILITY AND FITNESS FOR A PARTICULAR PURPOSE IS HEREBY LIMITED TO THE DURATION OF THIS WARRANTY AND TO THE EXTENT PERMITTED BY LAW ANY AND ALL IMPLIED WARRANTIES ARE EXCLUDED.** Some states do not allow limitations on how long an implied warranty lasts, so the above limitations may not apply to you.
- B. **WALKER WILL NOT BE LIABLE FOR ANY INCIDENTAL, CONSEQUENTIAL, OR SPECIAL DAMAGES AND/OR EXPENSES IN CONNECTION WITH THE PURCHASE OR USE OF THE MOWER.** Some states do not allow the exclusion or limitation of incidental or consequential damages, so the above limitation(s) or exclusion(s) may not apply to you.
- C. Only the warranty expressed in this limited warranty shall apply and no dealer, distributor, or individual is authorized to amend, modify, or extend this warranty in any way. Accordingly, additional statements such as dealer advertising or presentations, whether oral or written, do not constitute warranties by Walker, and should not be relied upon.
- D. This warranty gives you specific legal rights, and you may also have other rights which vary from state to state.

WALKER MOWERS™

WALKER MFG. CO. • 5925 E. HARMONY ROAD, FORT COLLINS, CO 80528 • (970) 221-5614
FORM NO. 080108 PRINTED IN USA www.walkermowers.com ©2008 WALKER MFG. CO